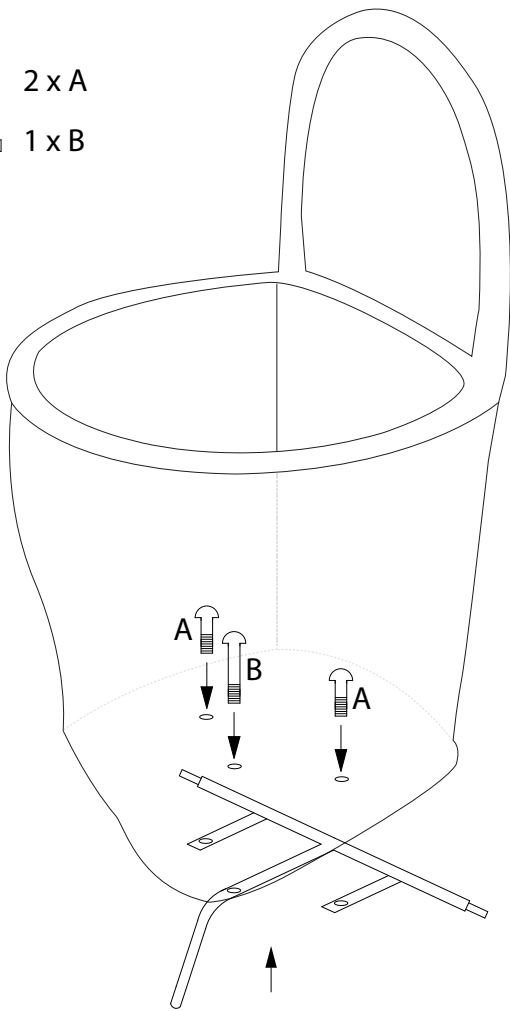


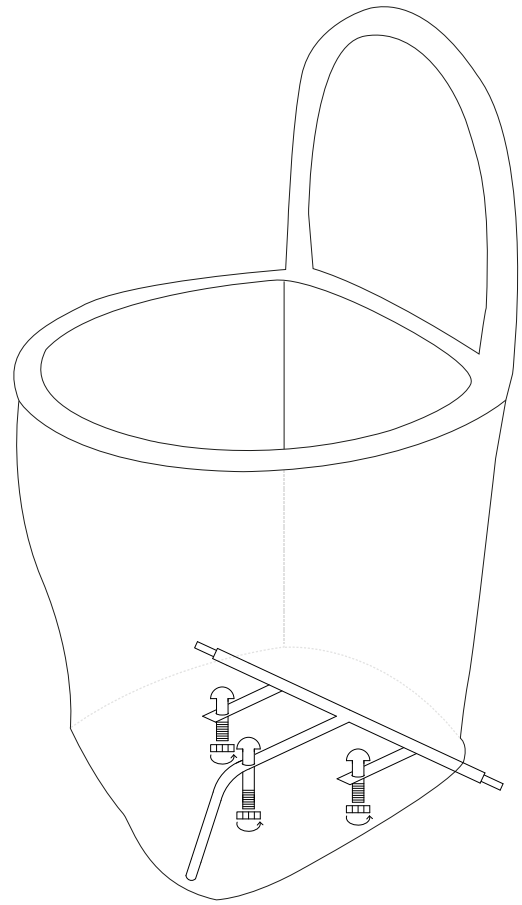
①

🔩 2 x A

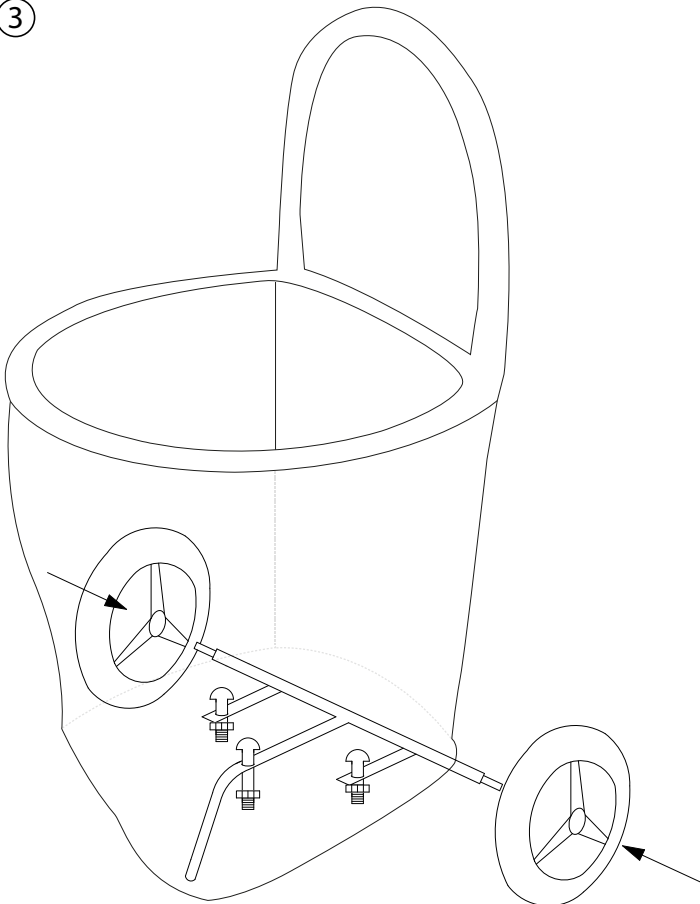
🔩 1 x B



②



③



④

