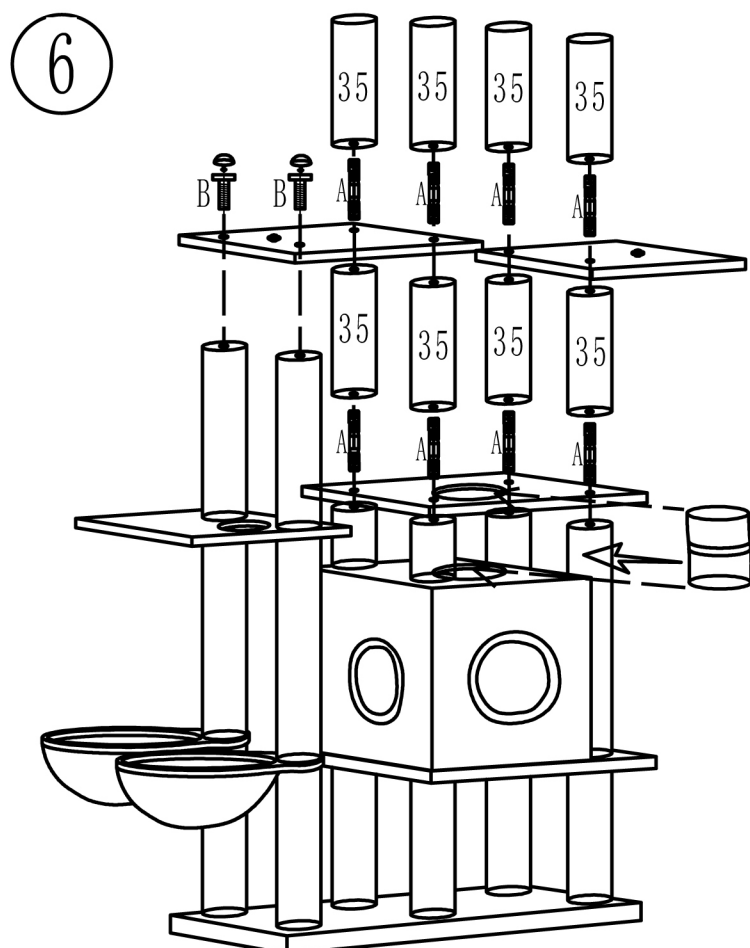
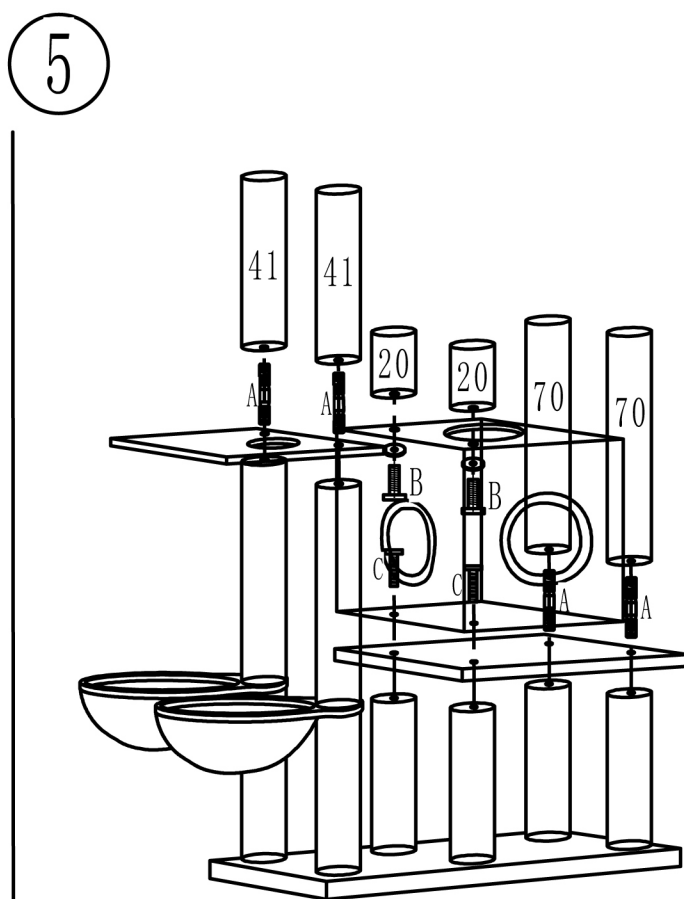
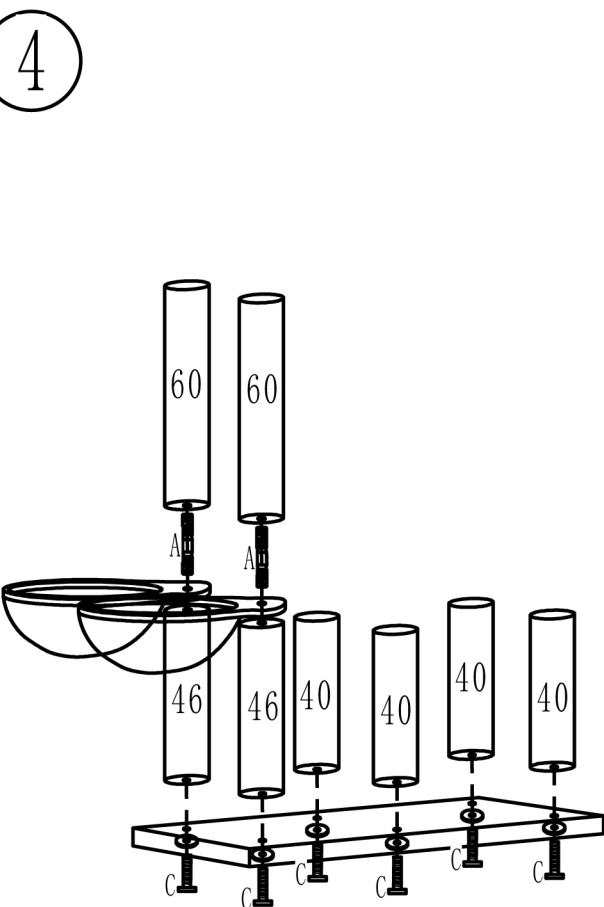
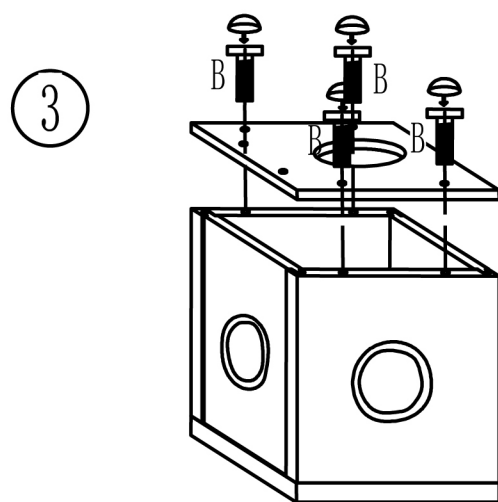
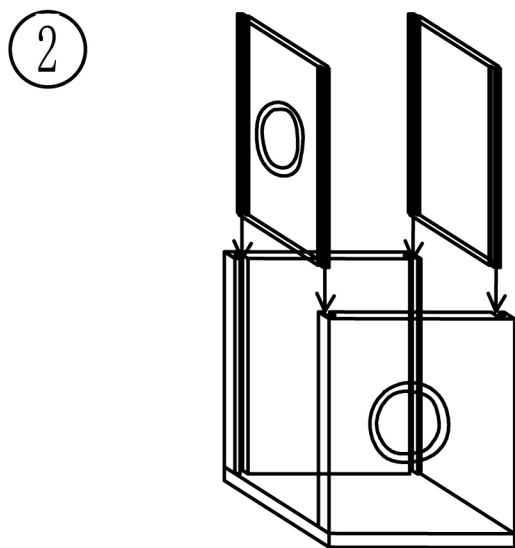
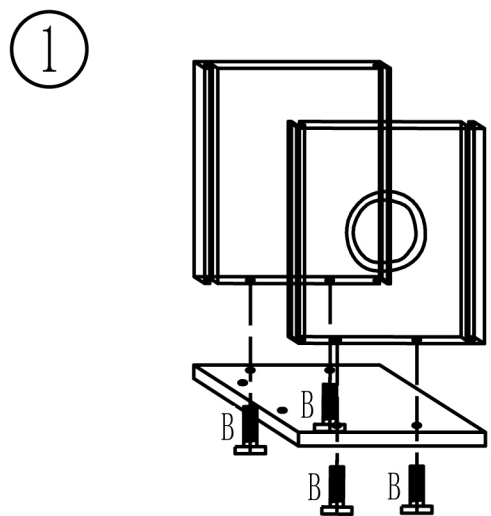


63766-92(1) Cat Tree Assembly Drawing



7

Fold the end part of the tunnel into half and pull the tunnel through the 2 holes, and lay flat the end of the tunnel to fix it to the baseboard. Vice versa for disassembling the tunnel.

