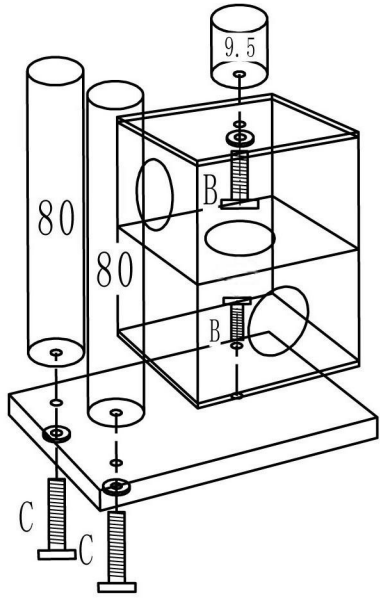


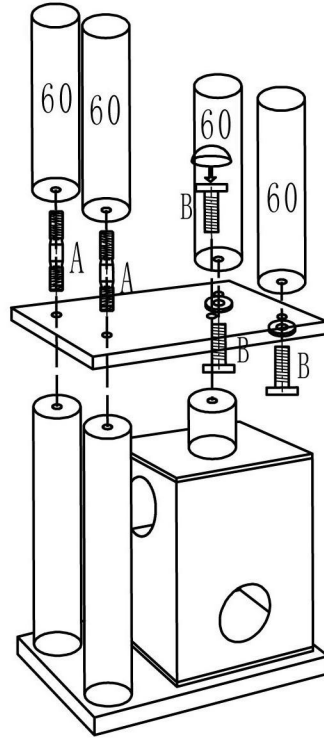
63709 (2) Cat Tree Assembly Drawing



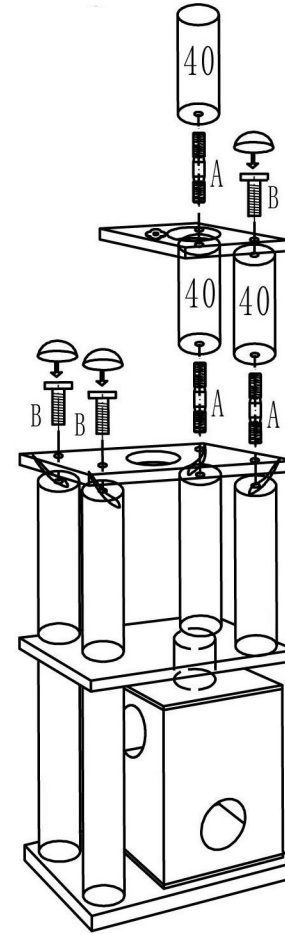
1



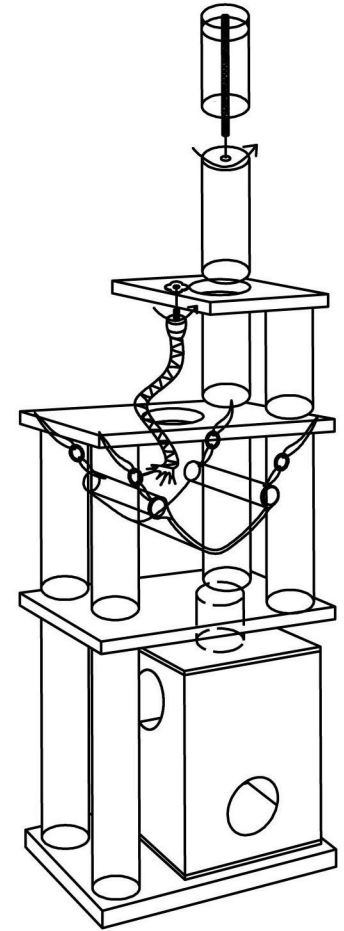
2



3



4



- 1 × $\text{Ø } 15 \times 9.5 \text{ cm } \frac{2}{3}$
- 3 × $\text{Ø } 15 \times 40 \text{ cm } \begin{matrix} \frac{1-1}{3} \\ \frac{2-2}{3} \end{matrix}$
- 4 × $\text{Ø } 15 \times 60 \text{ cm } \begin{matrix} \frac{3-1}{3} \\ \frac{1-2}{3} \end{matrix}$
- 2 × $\text{Ø } 15 \times 80 \text{ cm } \frac{2}{3}$
- 1 × $\text{Ø } 17 \times 25 \text{ cm } \frac{1}{3}$
- 1 × $60 \times 50 \text{ cm } \frac{2}{3}$

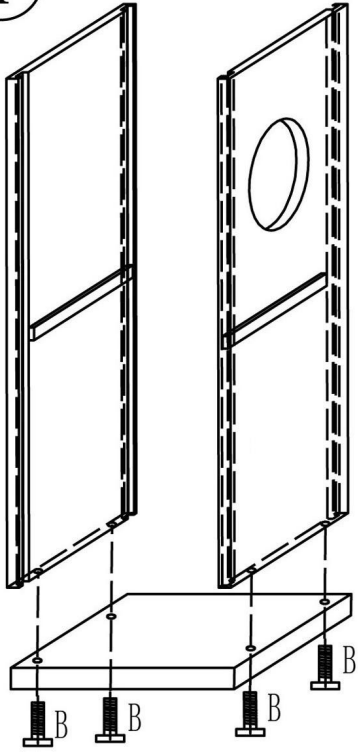
- 1 × $80 \times 60 \times 3 \text{ cm } \frac{3}{3}$
- 1 × $80 \times 60 \text{ cm } \frac{3}{3}$
- 1 × $80 \times 60 \text{ cm } \frac{2}{3}$
- 1 × $\text{Ø } 5 \times 50 \text{ cm } \frac{1}{3}$

- 1 × $50 \times 50 \times 70 \text{ cm}$
- 1 × $\frac{1}{3}$

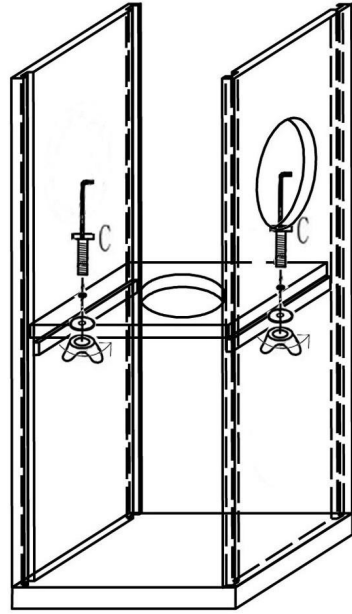
- 1 × $8 \times 60 \text{ mm } \frac{1}{3}$
- (5+1) × $\text{Ø } 8 \times 80 \text{ mm (A)}$
- (16+1) × $\text{Ø } 8 \times 40 \text{ mm (B)}$
- 4 × $\text{Ø } 8 \times 60 \text{ mm (C)}$
- 7 ×
- 8 ×
- 2 ×

63709 (1)

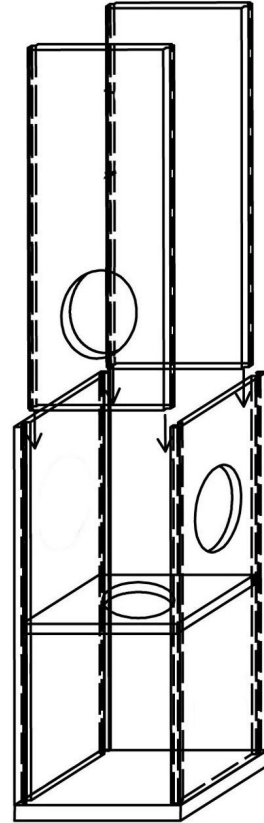
①



②



③



④

