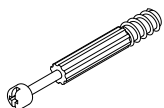
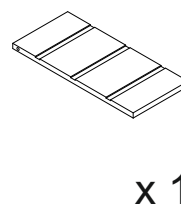
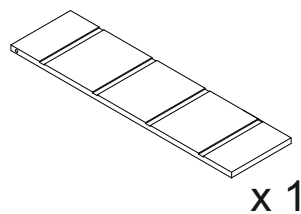
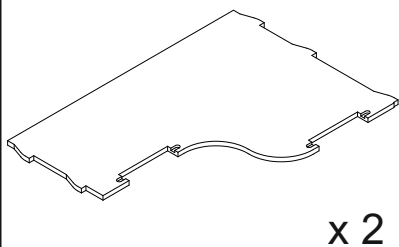
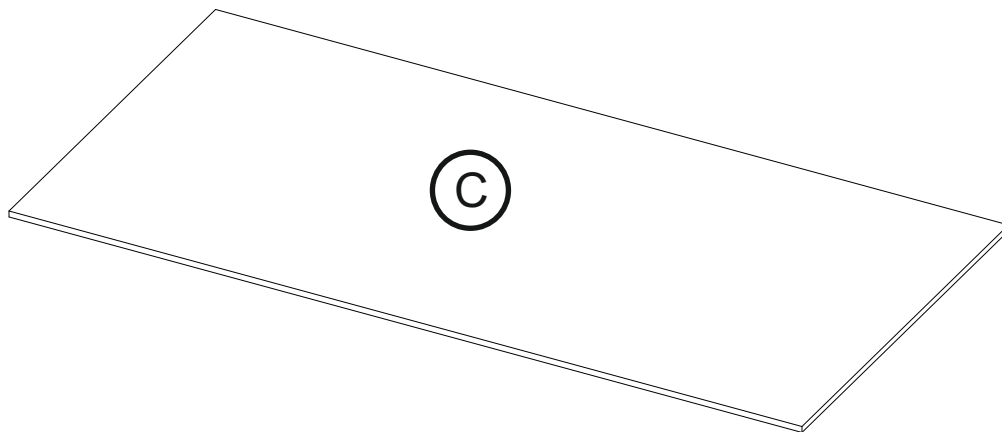
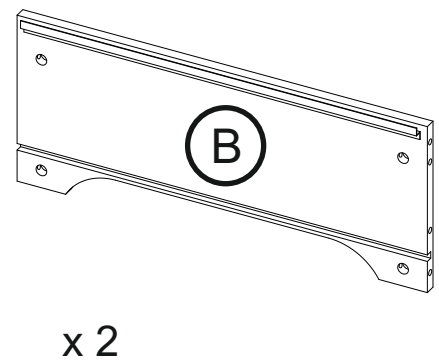
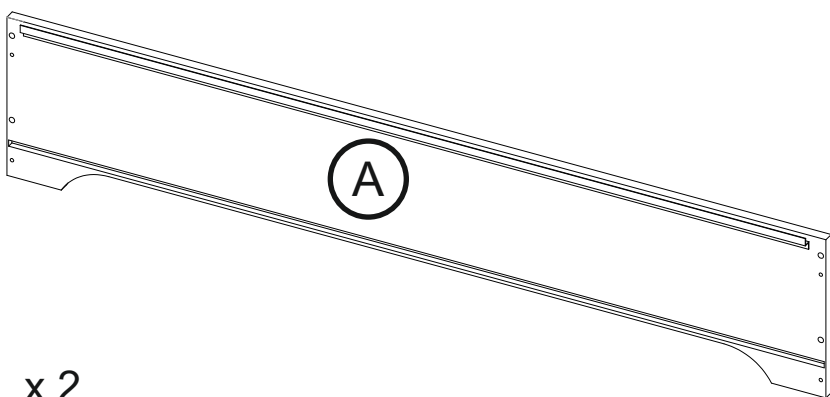


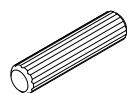
# ASSEMBLING INSTRUCTION



x 8

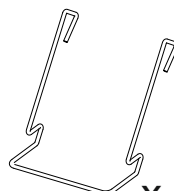


x 8



x 8

8 x 30



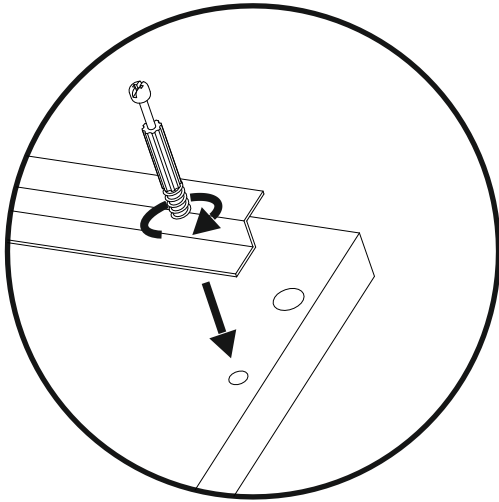
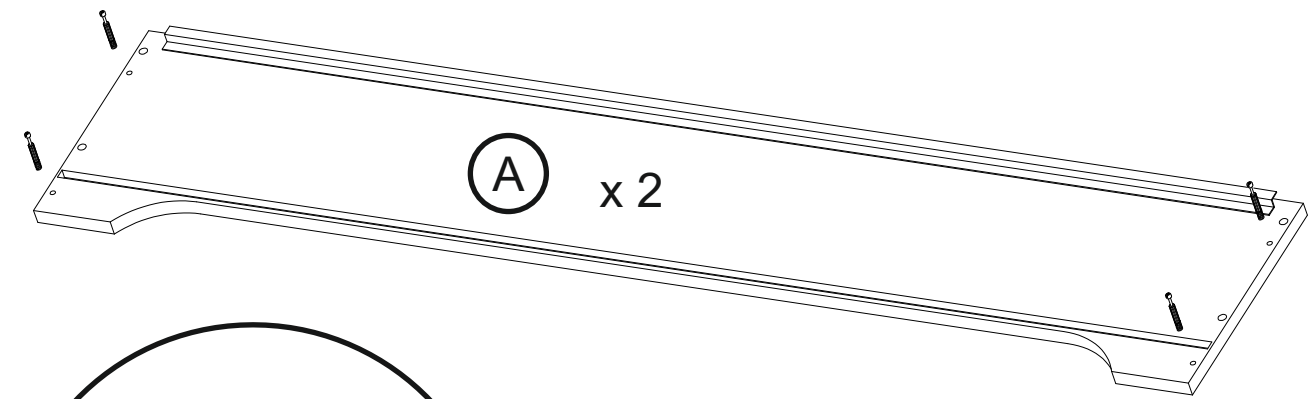
x 2



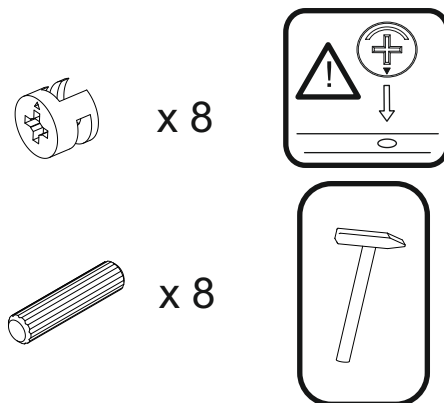
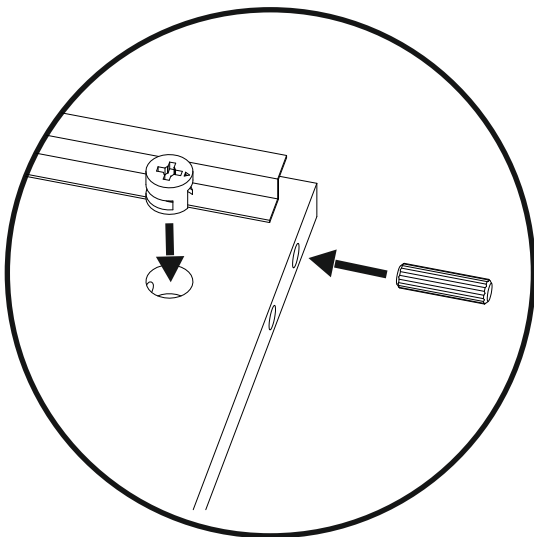
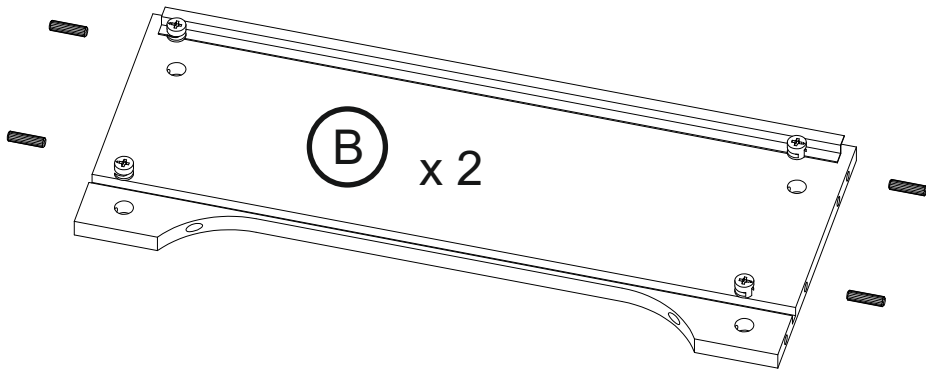
x 4

# ASSEMBLING INSTRUCTION

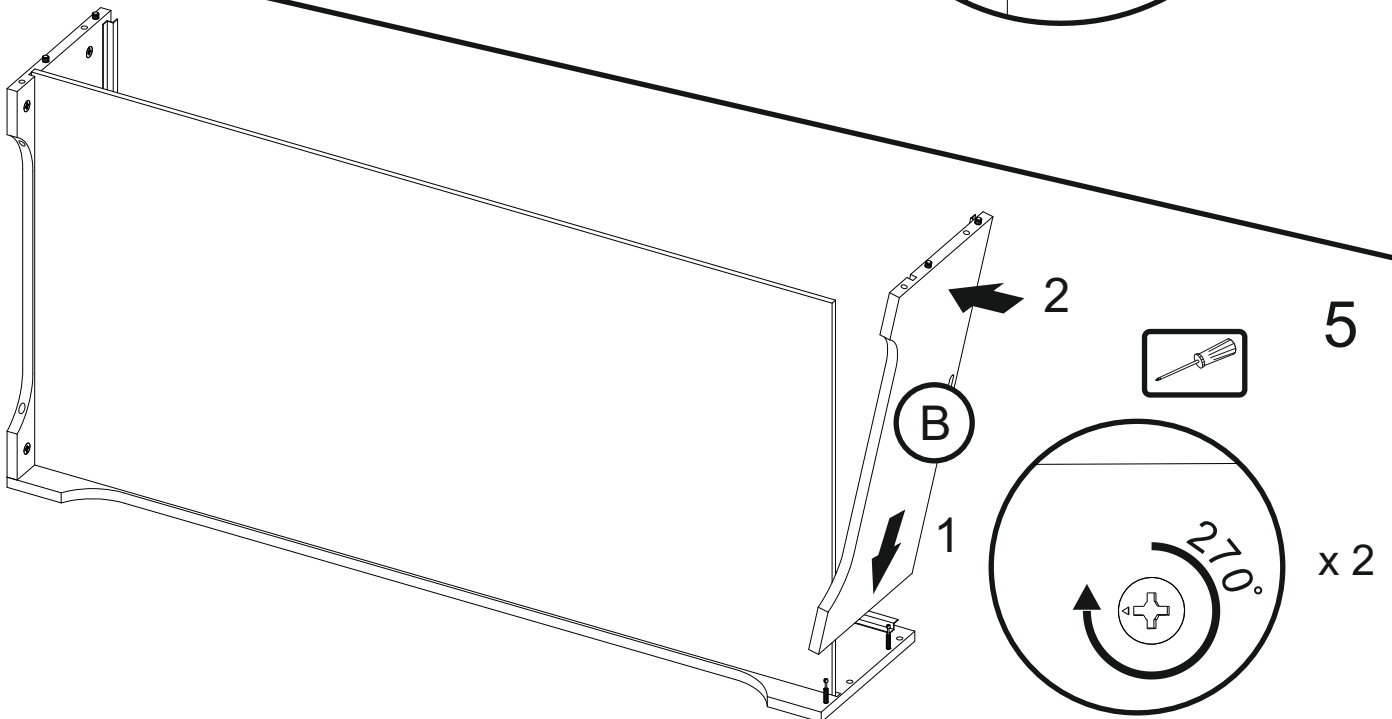
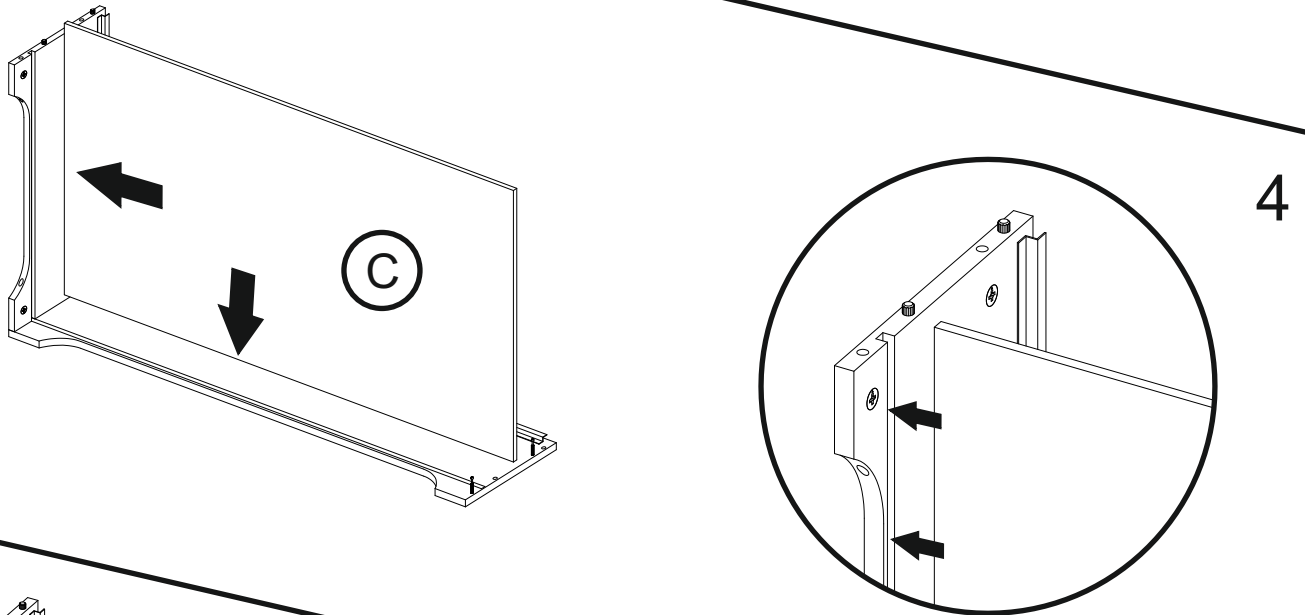
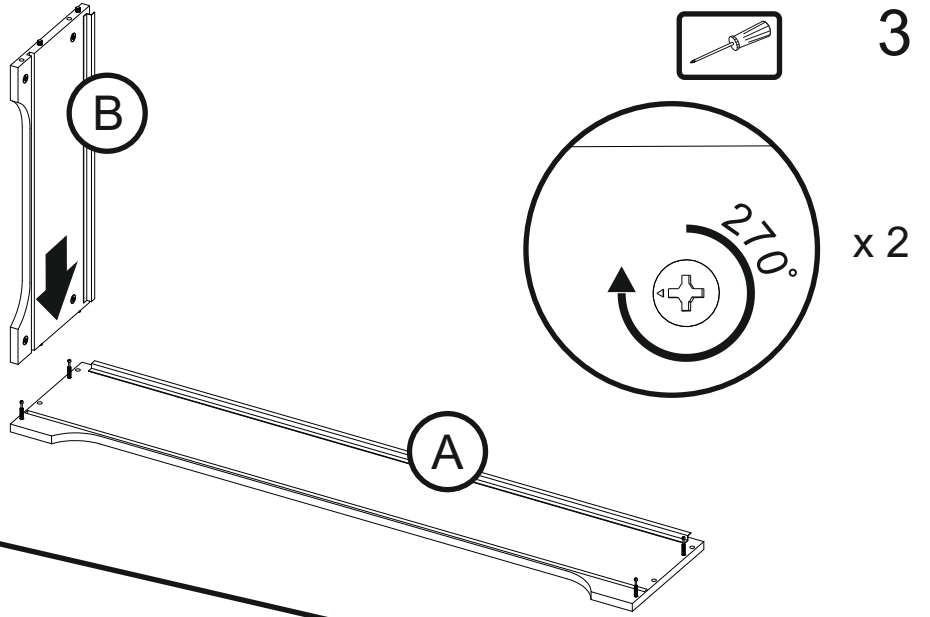
1



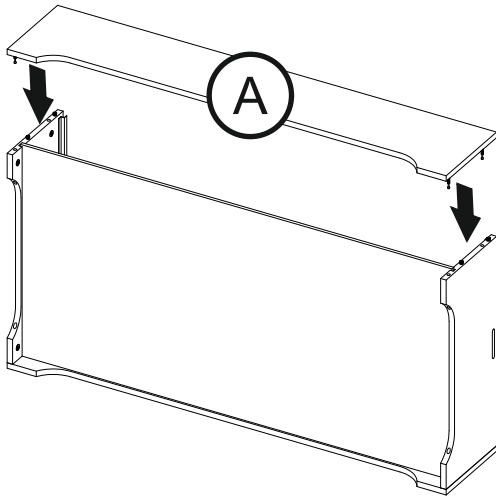
2



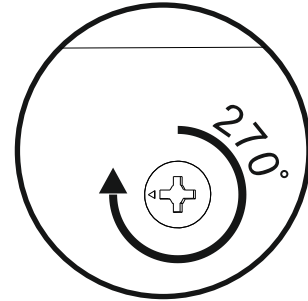
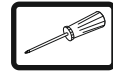
# ASSEMBLING INSTRUCTION



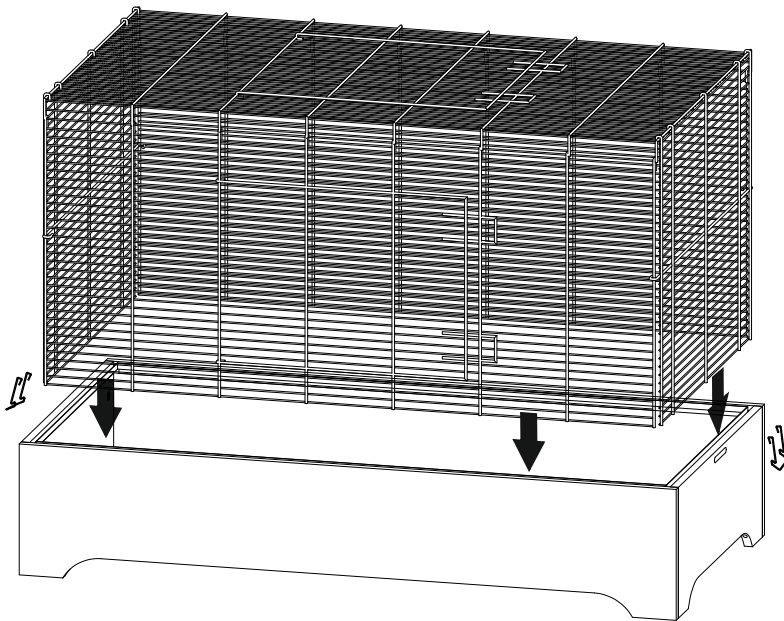
# ASSEMBLING INSTRUCTION



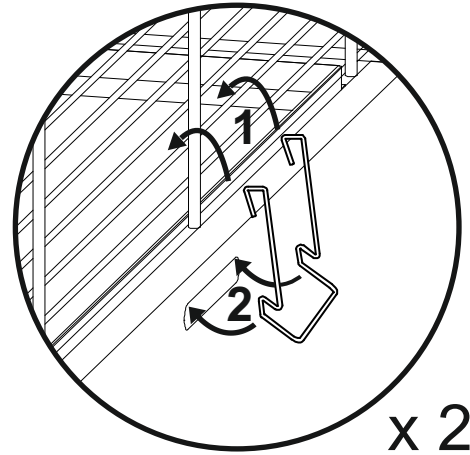
6



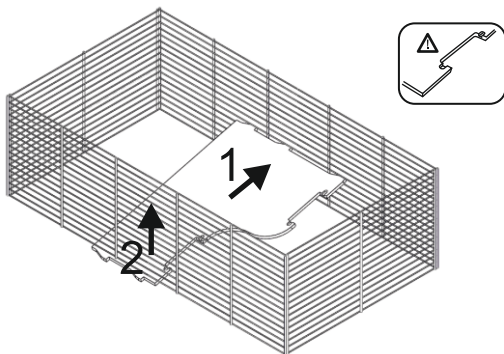
x 4



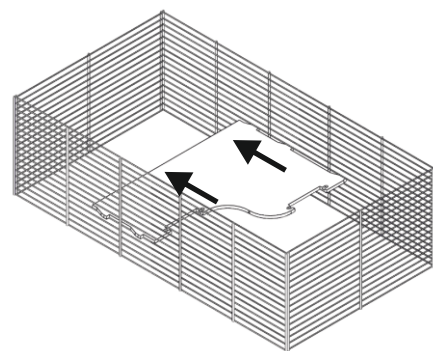
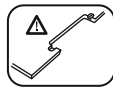
7



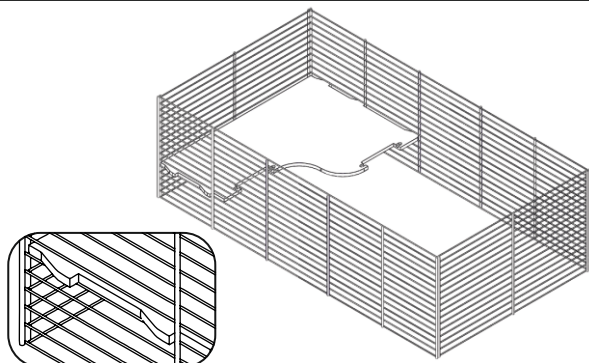
x 2



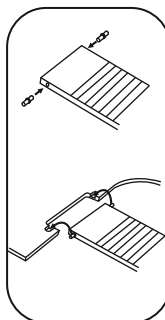
I



II



III



IV

4