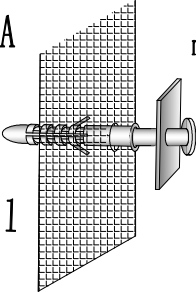
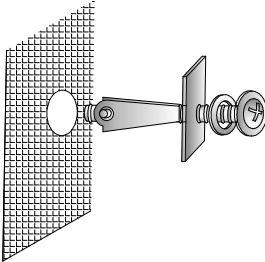
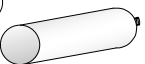


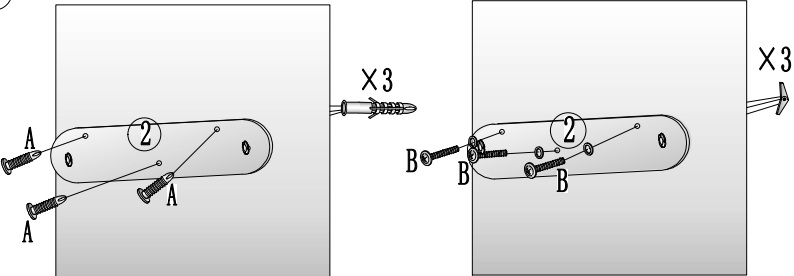

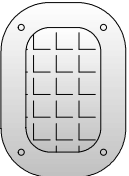
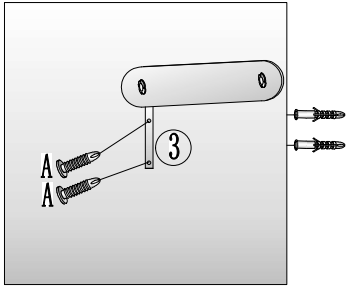

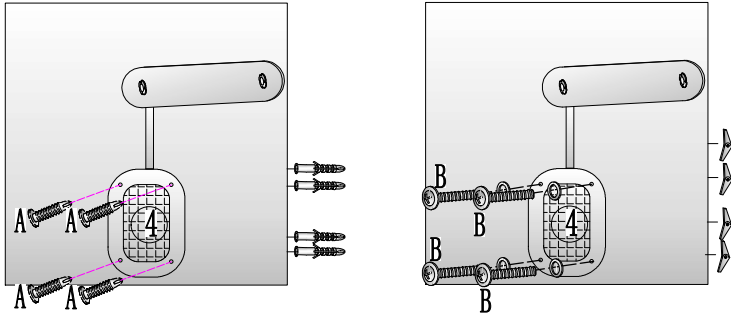



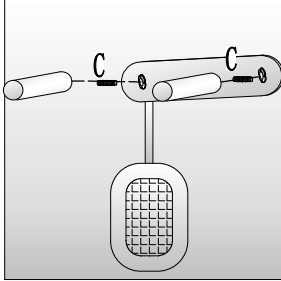
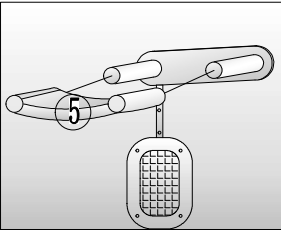




63633-92

Parts	Size	Number	① Plan A massive Wand / massive wall 	Plan B Hohlraum Wand / dry wall 
① 	∅ 4.7-4.9×30cm	2		
② front  back 	60×10×1.5cm	1	② 	
③ 	29×4×1.5cm	1		
④ 	40×30×1.5cm	1	③ 	
⑤ 	62×30cm	1	④ 	
	∅ 8×75mm (A)	9+1		
	∅ 4×50mm (B)	9		
	∅ 10×60mm(C)	2		
			⑤ 	
			⑥ 	
			⑦ 