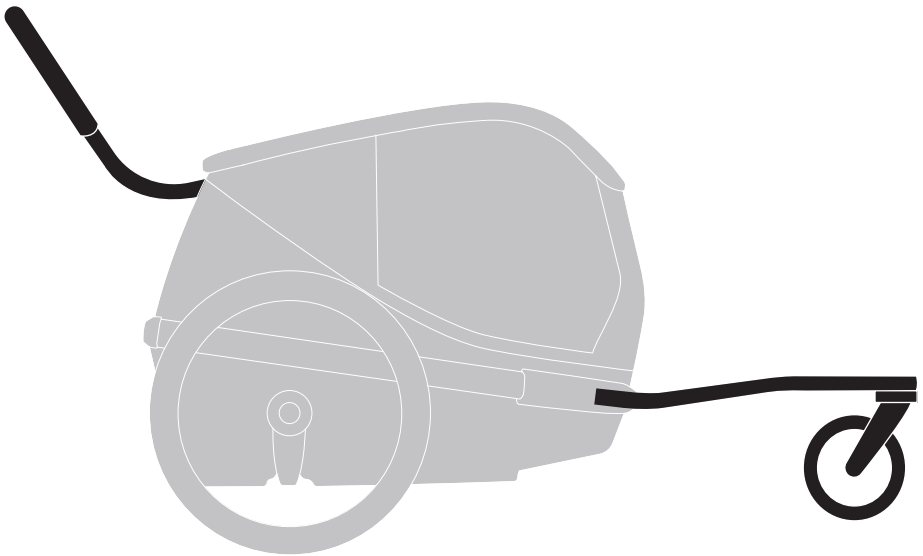


THULE[®]
SWEDEN

> Instructions

Thule Bexey stroller kit

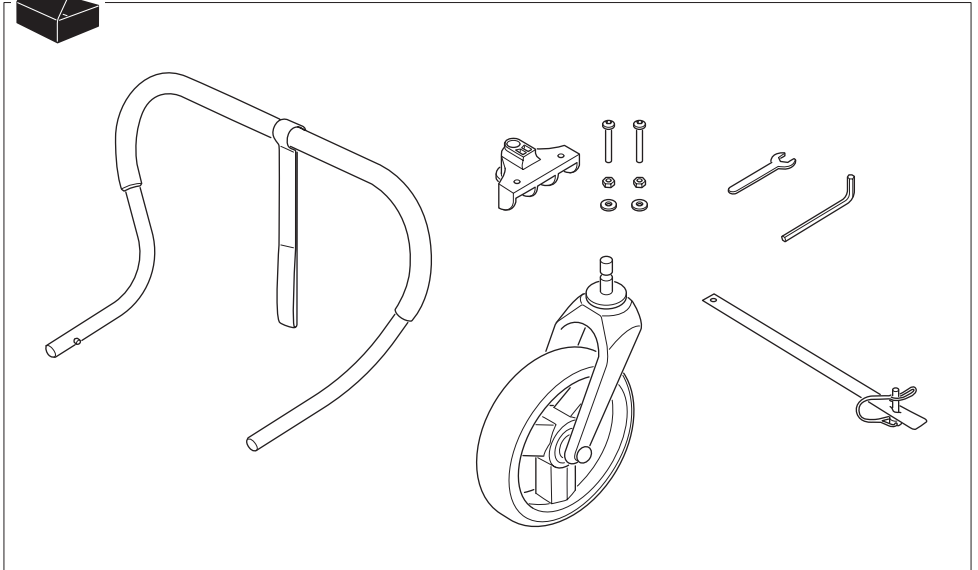
800002, 800003

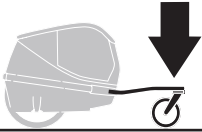




THULE

Instructions
Thule Bexey

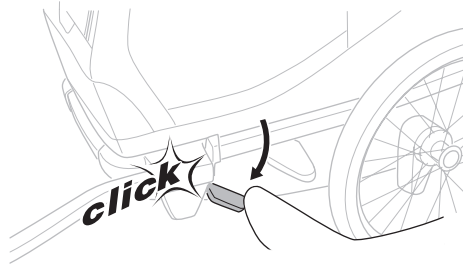




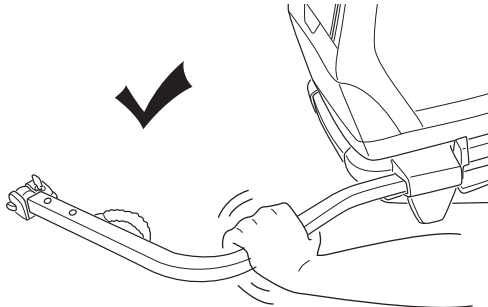
1



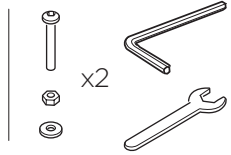
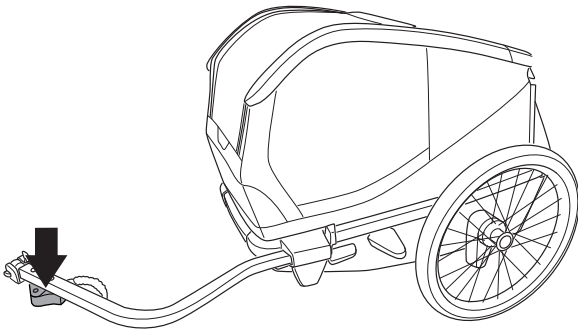
2



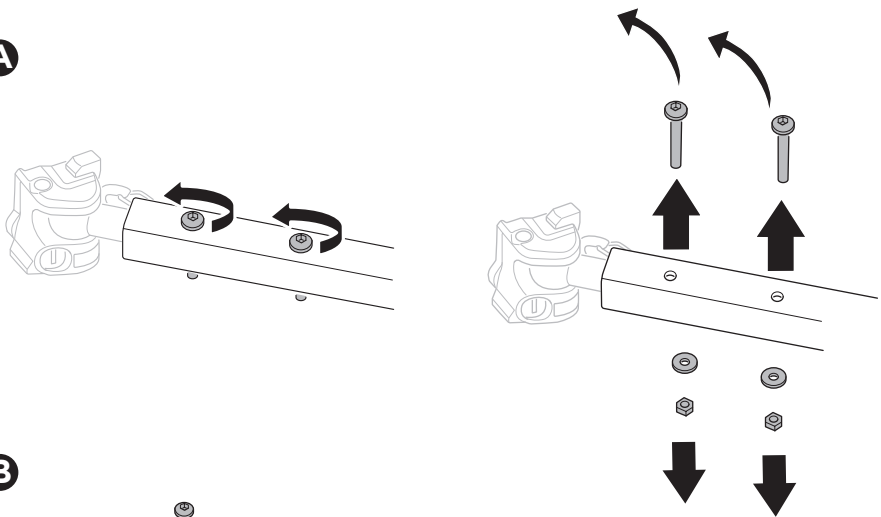
3



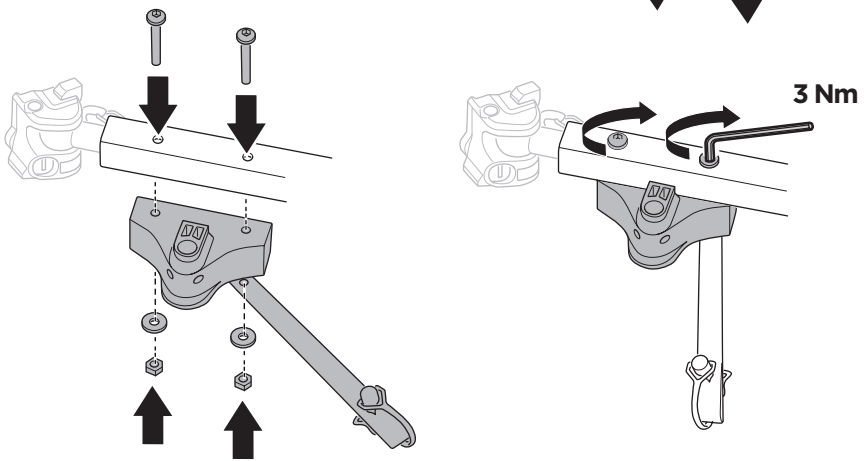
4



A

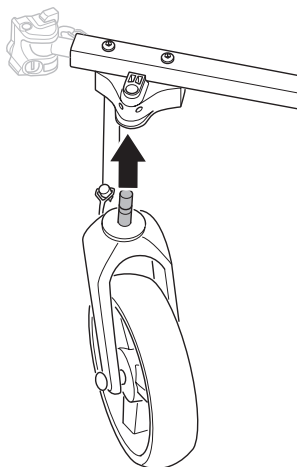


B

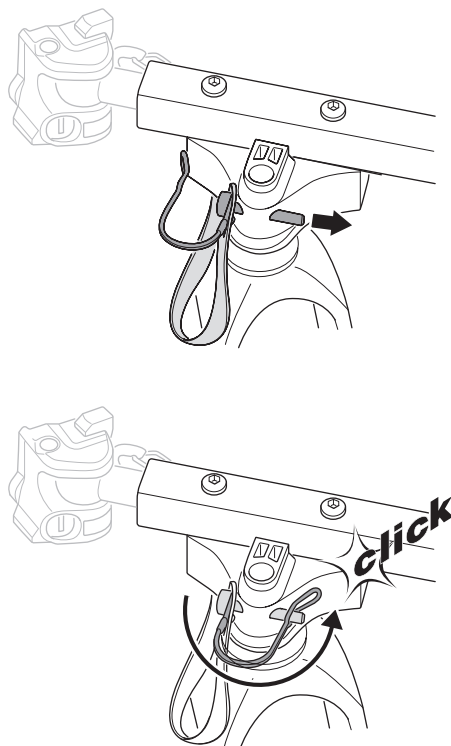


5

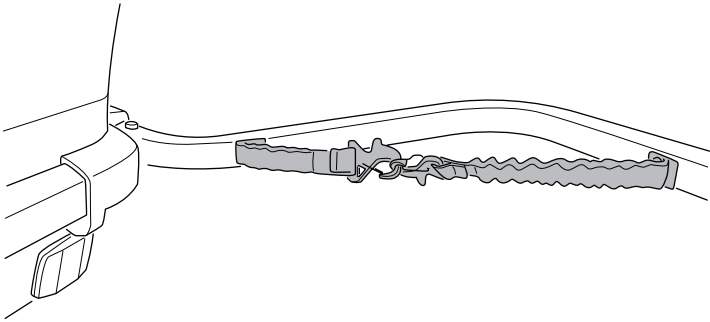
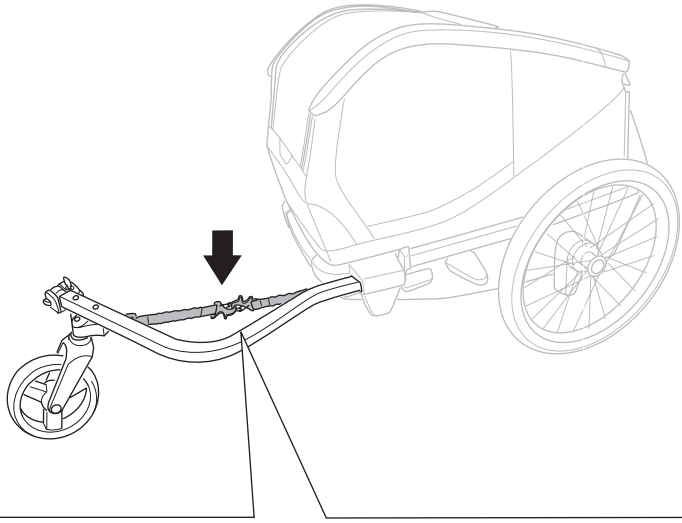
A

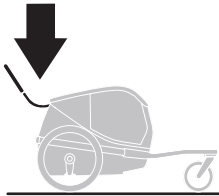


B



⑨

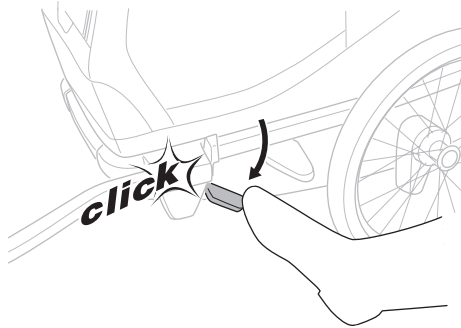




1

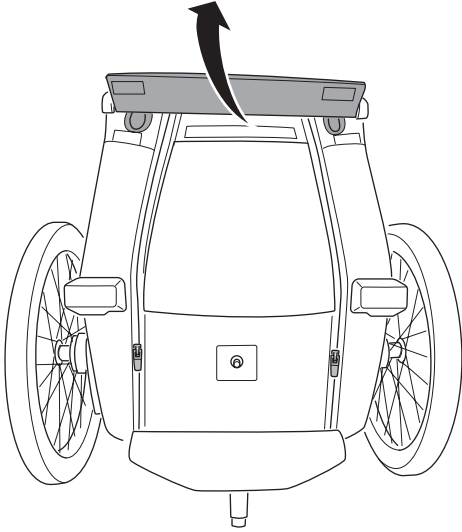


2

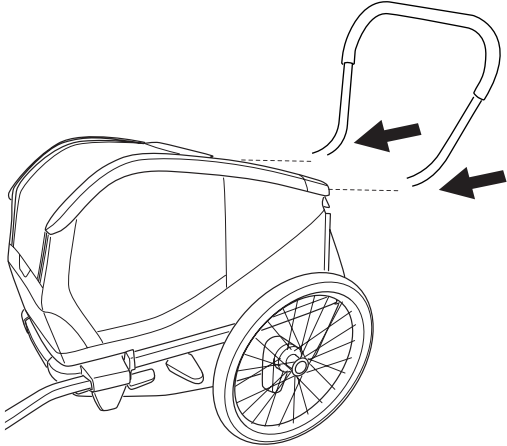


3

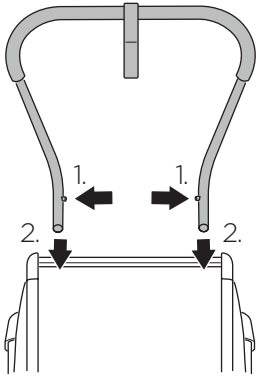
A



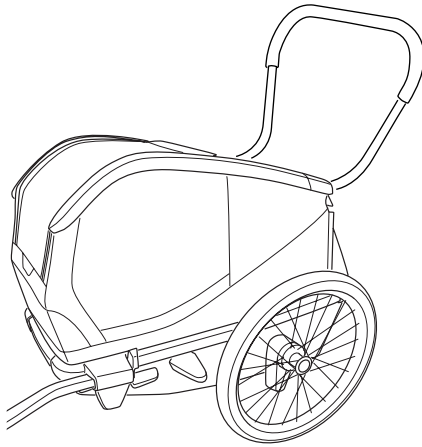
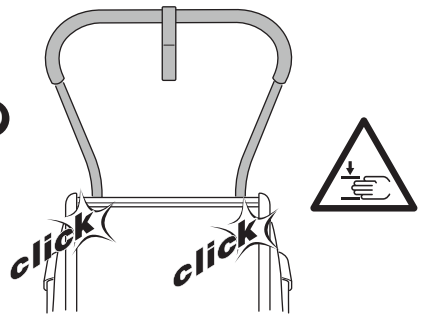
B



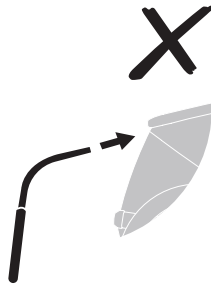
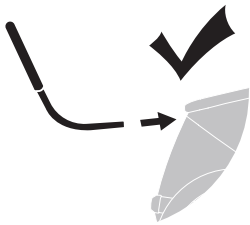
C

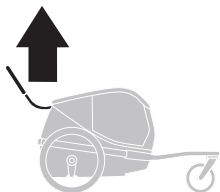


D

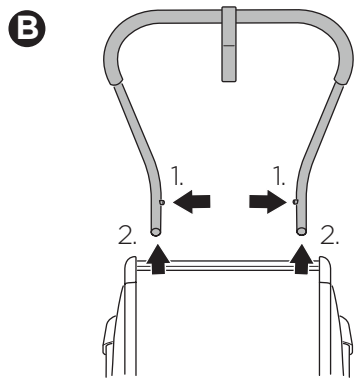
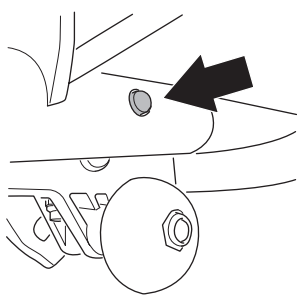
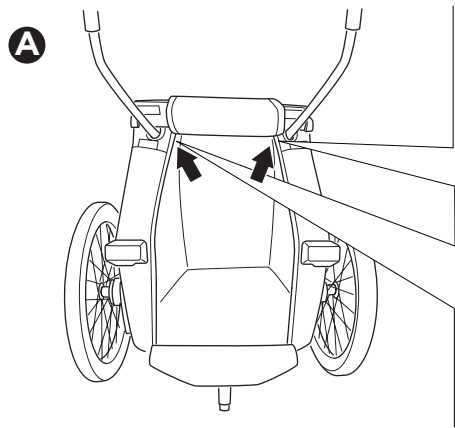


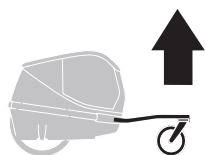
i



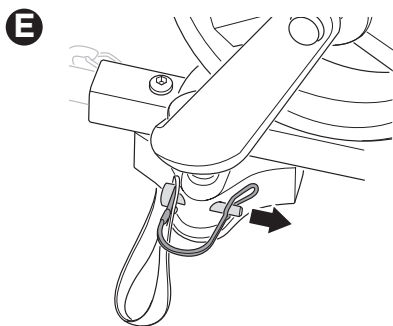
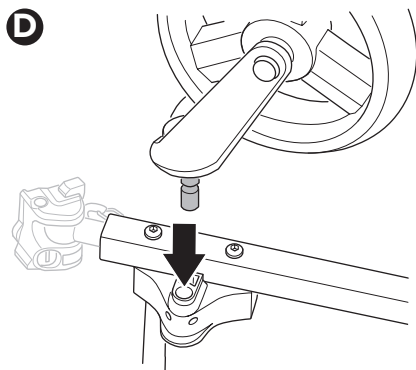
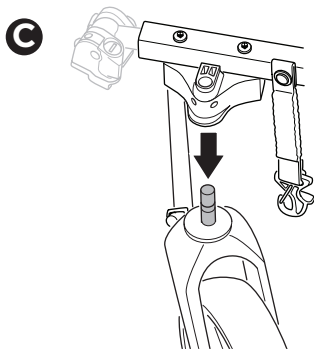
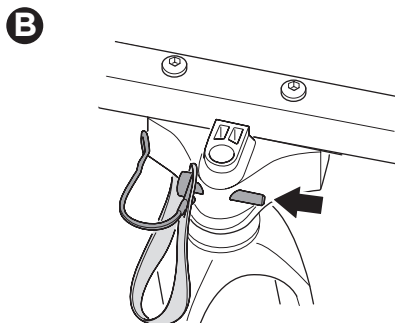
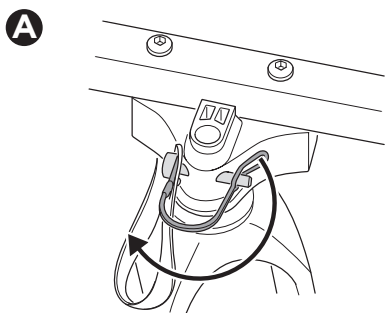


1





1



Thule Sweden AB
Borggatan 5
335 73 Hillerstorp, Sweden
info@thule.com
www.thule.com

© Thule Group May 2024. All rights reserved.

» PART OF THULE GROUP