

(EN) **Assembly instructions**

(DE) **Montageanleitung**

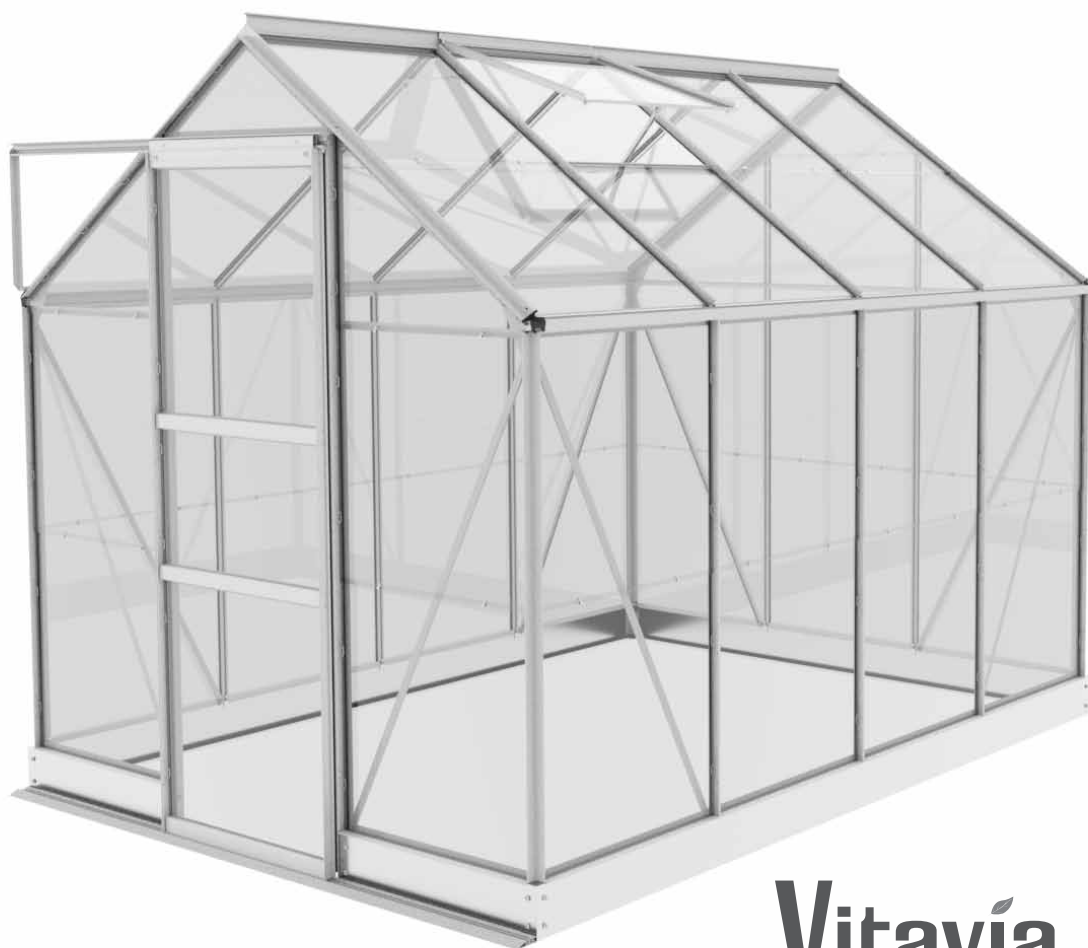
(NL) **Montage Instructies**

(IT) **Istruzioni di Montaggio**

(FR) **Notice de Montage**

(DA) **Montagevejledning**

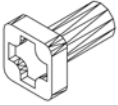

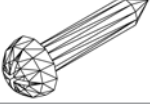
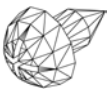



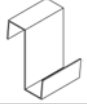


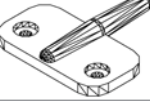


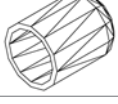

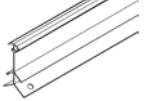

(SL) **Navodila za Montažo**


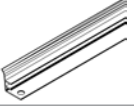
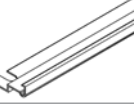
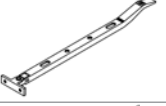


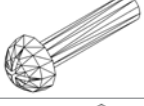
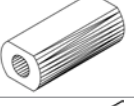
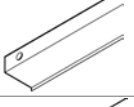
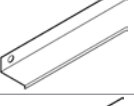
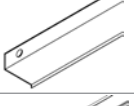
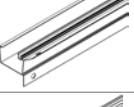
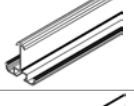


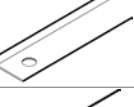



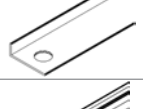

**Vitavia**  
- makes living grow

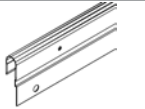
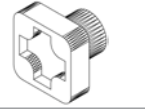

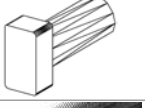

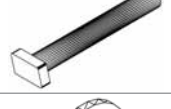
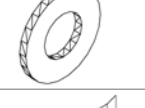
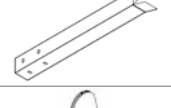
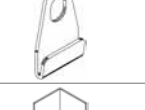
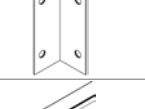
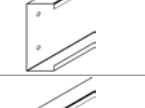
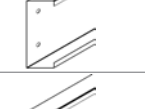
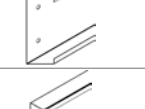
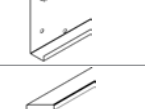
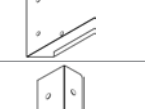

---

**VM0036-AP**  
**2500, 3800, 5000**

| Item No.             | Part  | Sect. Ref. | Size mm                 | Quantity     |              |              |
|----------------------|---|------------|-------------------------|--------------|--------------|--------------|
|                      |   |            |                         | 2500         | 3800         | 5000         |
| 1001                 |        | 0B-6       | M6 x 12                 | 116x         | 128x         | 139x         |
| 1002                 |        | 0B-6       | M6                      | 118x         | 129x         | 140x         |
| 1003                 |        | 5          | 3.5 x 16                | 16x          | 16x          | 16x          |
| 1006                 |        | 6          | 3.5 x 6                 | 6x           | 6x           | 6x           |
| 1007                 |        | 5          | M4                      | 2x           | 2x           | 2x           |
| 1009                 |        | 5          | Ø8/4                    | 2x           | 2x           | 2x           |
| 1011                 |       | 7          | 70                      | 148x         | 180x         | 212x         |
| 1012                 |      | 7          | 11                      | 36x          | 44x          | 52x          |
| 1014                 |      | 5          | 20                      | 2x           | 2x           | 2x           |
| 1015                 |      | 5          | Ø22                     | 2x           | 2x           | 2x           |
| 1016                 |      | 6          | 40                      | 2x           | 2x           | 2x           |
| 1017                 |      | 4          | 46                      | 4x           | 4x           | 4x           |
| 1018                 |      | 4          | 43.7                    | 8x           | 8x           | 8x           |
| 1019                 |      | 6          | 15                      | 1x           | 1x           | 1x           |
| 1020                 | PVC  | 7          | 45000<br>56000<br>67000 | 1x<br>-<br>- | -<br>1x<br>- | -<br>-<br>1x |
| 1050<br>1051<br>1052 |      | 4          | 1240<br>1862<br>2484    | 1x<br>-<br>- | -<br>1x<br>- | -<br>-<br>1x |
| 1063                 |      | 6          | 635                     | 1x           | 1x           | 1x           |

| Item No.             | Part   | Sect. Ref.  | Size mm              | Quantity      |              |               |
|----------------------|--|-------------|----------------------|---------------|--------------|---------------|
|                      |  |             |                      | 2500          | 3800         | 5000          |
| 1064                 |    | 6           | 602                  | 1x            | 1x           | 1x            |
| 1065                 |    | 6           | 520                  | 2x            | 2x           | 2x            |
| 1066                 |    | 6           | 602                  | 1x            | 1x           | 1x            |
| 1067                 |    | 6           | 295                  | 1x            | 1x           | 1x            |
| 1285                 |    | 3           | 1776                 | 1x            | 1x           | 1x            |
| 1286                 |    | 3           | 1776                 | 1x            | 1x           | 1x            |
| 1304                 |   | 5           | M4 x 18              | 2x            | 2x           | 2x            |
| 1310                 |  | 4           | 30.4                 | 1x            | 1x           | 1x            |
| 1320                 |  | 3           | 614                  | 1x            | 1x           | 1x            |
| 1321                 |  | 3           | 614                  | 1x            | 1x           | 1x            |
| 1322<br>1323<br>1324 |  | 1<br>2      | 1240<br>1862<br>2484 | 2x<br>1x<br>- | -<br>3x<br>- | -<br>1x<br>2x |
| 1327<br>1328<br>1329 |  | 1           | 1240<br>1862<br>2484 | 2x<br>-<br>-  | -<br>2x<br>- | -<br>-<br>2x  |
| 1332                 |  | 1           | 1214                 | 2x            | 4x           | 6x            |
| 1333                 |  | 2<br>3<br>4 | 1304                 | 8x            | 8x           | 8x            |
| 1334                 |  | 4           | 1922                 | 1x            | 1x           | 1x            |
| 1335                 |  | 2           | 1854                 | 1x            | 1x           | 1x            |
| 1336                 |  | 2<br>3      | 1214                 | 4x            | 4x           | 4x            |

| Item No. | Part  | Sect. Ref. | Size mm | Quantity |      |      |
|----------|---|------------|---------|----------|------|------|
|          |   |            |         | 2500     | 3800 | 5000 |
| 1337     |    | 2          | 1156    | 1x       | 1x   | 1x   |
| 1338     |    | 2          | 1156    | 1x       | 1x   | 1x   |
| 1339     |    | 3          | 1156    | 1x       | 1x   | 1x   |
| 1340     |    | 3          | 1156    | 1x       | 1x   | 1x   |
| 1341     |    | 2          | 1666.5  | 1x       | 1x   | 1x   |
| 1342     |    | 2          | 1666.5  | 1x       | 1x   | 1x   |
| 1343     |   | 2<br>3     | 170     | 4x       | 4x   | 4x   |
| 1347     |  | 3          | 1257    | 1x       | 1x   | 1x   |
| 1348     |  | 3          | 628.5   | 1x       | 1x   | 1x   |
| 1349     |  | 3          | 600     | 2x       | 2x   | 2x   |
| 1350     |  | 5          | 1728    | 2x       | 2x   | 2x   |
| 1355     |  | 4          | 1132.5  | 2x       | 4x   | 6x   |
| 1356     |  | 4          | 255     | 1x       | 2x   | 3x   |
| 1357     |  | 4          | 393     | 1x       | 1x   | 1x   |
| 1359     |  | 5          | 621     | 1x       | 1x   | 1x   |
| 1360     |  | 5          | 621     | 1x       | 1x   | 1x   |
| 1361     |  | 5          | 621     | 2x       | 2x   | 2x   |

| Item No. | Part   | Sect. Ref. | Size mm | Quantity |      |      |
|----------|--|------------|---------|----------|------|------|
|          |  |            |         | 2500     | 3800 | 5000 |
| 1362     |    | 5          | 613     | 1x       | 1x   | 1x   |
| 1500     |    | 5          | M6 x 5  | 2x       | 2x   | 2x   |
| 1515     |    | 5          | M6      | 2x       | 2x   | 2x   |
| 2001     |    | 6          | M6 x 12 | 1x       | -    | -    |
| 3021     |    | 5          | 1800    | 2x       | 2x   | 2x   |
| 4201     |    | 4          | M6 x 45 | 1x       | 1x   | 1x   |
| 6060     |   | 4          | Ø12/6   | 1x       | 1x   | 1x   |
| 9001     |  | 0B         | 520     | 4x       | 4x   | 4x   |
| 9002     |  | 4          | 19      | 14x      | 16x  | 18x  |
| 9006     |  | 0B         | 100     | 4x       | 4x   | 4x   |
| 9013     |  | 0B         | 1300    | 2x       | -    | -    |
| 9014     |  | 0B         | 1922    | 1x       | 3x   | 1x   |
| 9016     |  | 0B         | 2544    | -        | -    | 2x   |
| 9042     |  | 0B         | 644     | 1x       | 1x   | 1x   |
| 9043     |  | 0B         | 644     | 1x       | 1x   | 1x   |
| 9046     |  | 0B         | 122     | 2x       | 2x   | 2x   |

# Safety Warning

- PLEASE READ THESE INSTRUCTIONS CAREFULLY AND COMPLETELY BEFORE ASSEMBLING YOUR GREENHOUSE.**
- Sharp edges and corners can cause injury. Always wear protective glasses, gloves, shoes and headgear when handling the aluminium profiles, glass and polycarbonate sheets. Broken glass is a safety hazard – always clear up immediately and dispose of with care.
- The product you have purchased is intended only for growing plants and should only be used for this purpose. When used for other purposes we will take no responsibility.
- It is recommended that this greenhouse is assembled by two people.
- Should you encounter difficulties constructing this house, or in fitting the glass or polycarbonate sheets, please contact your retailer – **do not use force!**
- The greenhouse must always be anchored.

## Assembly Instructions

### SITE SELECTION

Always try to select a sunny location, sheltered from the wind as much as possible.

### IMPORTANT

Before assembling your new greenhouse, please check that all parts in the provided list are included. Please take each bundle out of the packaging in order to identify the parts better.

It is important that the opened bundles do not get mixed with one another.

If something is missing please contact your retailer.

**Nuts (1002) - Max. tightening torque 3Nm.**

### NECESSARY TOOLS

Screw drivers (Normal and Crosshead PH2), 10 mm socket spanner or wrench, 10 mm combination spanner, knife, measuring stick, spirit level, Accu-drill with adjustable torque.

### MAINTENANCE

The greenhouse should be thoroughly washed with a gentle detergent occasionally. Please check that the detergent used does not react aggressively with aluminium or the glass fixing clips.

Ensure that the upper and lower door tracks are cleaned regularly to avoid a build-up of debris.

### 0A. BASE

**Important!** The base must be exactly square and level.

**(Attention!** Only when the greenhouse has to be located in a very windy and unprotected location: Drill through both the profile at the base of the greenhouse and the steel base, and connect them with nuts and bolts.)

If you would rather construct your own stone or concrete foundation, please follow the dimensions as specified in diagram 0A.

If you choose to use the anchor legs supplied with the steel base please make a hole at each point marked C. These will be filled with concrete after the assembly of the house is completed.

Foundations must extend down below the frost level.

**Diagrams in a single frame show the view from inside the greenhouse. Those enclosed in a double frame show the view from outside the greenhouse.**

### 0B. STEEL BASE

A zinc-coated steel base is delivered with the greenhouse.

We recommend the use of the anchor legs (9001).

Assemble the parts as shown using bolts (1001) and nuts (1002).

**Important!** Ensure that a space of 634mm is left between the inside ends of base lengths (9042) and (9043) in the front of the greenhouse as shown.

Bend the ends of the anchor legs to provide a secure connection in the concrete.

Position the completed base on the prepared foundation.

**(Attention!** Concrete should be poured after the house is completely assembled.)

### 1. SIDE ELEMENTS

Lay all of the parts on the floor and connect them loosely.

### 2. PLAIN GABLE END

Lay all of the parts on the floor and connect

them loosely.

Please include an extra connecting bolt in each vertical bar (1341) and (1342) to connect brace (1335) (2.2).

### 3. DOOR GABLE END

Lay all of the parts on the floor and connect them loosely.

The door runner bar (1347) will be connected to the horizontal bar (1348). Connect these loosely from the outside with two nuts and bolts.

Depending on which direction the door should open, align the door runner bar (1347) to the left or to the right.

### 4. CONNECTING THE SEPARATE ELEMENTS

Assemble the structure on the prepared steel base and connect loosely using clips (9002) (4.2) (4.3) (4.4).

Bolt the side elements to the end elements (4.1) & (4.2).

Connect the side braces (1333) between the eave and sill bars (4.1) & (4.4).

Assemble the ridge bar to both gable ends. (4.5).

Now connect the roof glazing bars (1355) between the eaves (4.6) and the ridge bar (4.7). An extra bolt should be inserted into each glazing bar (1355) at this time to connect roof braces (1356). Additionally, insert in 2 of the roof glazing bars (1355) an extra bolt, where the roof vent(s) will be positioned later.

The roof braces (1356) can now be connected (4.7).

Connect the door runner bar (1334) to steel base lengths (9042) and (9043) using bolts (1001) inserted into the (1334) bolt channel (4.3).

Adjust the greenhouse until it is completely

square and tighten all bolts.

**Please do not over tighten. (max. 3Nm)**

Connect the door runner support (1357) to the door runner bar (1347) (4.8) and to the gable end using bolt (4201) and spacer (1310) (4.9).

Press the end protectors (1017) and (1018) onto the profile ends (4.10).

## 5. DOOR

**Attention: Do not stand the assembled door on the door gliders (1014) to avoid damaging them.**

Push the door gliders (1014) onto both ends of door bar (1360) (5.1).

Assemble the door as shown in diagram 5.

Bolt door bar (1362) to upper bar (1359) (5.3) and slide door seals (3021) into the both side bars (1350) (5.5). Slide bolts (1500) into the bottom of the bolt channel holding brush seals (3021) and fix it in place using nut (1515) (5.6). Cut the door seals (3021) to length.

Connect door rollers (1015) to the door bar (1362) using bolt (1304), washer (1009) and nut (1007) (5.4).

Now slide the door rollers into the door runner bar (1347) (5.7). Please ensure that the door gliders are also running on the bottom track (5.8). Once the door is correctly in place, connect a nut and bolt into the end of door runner bar (1347) as door stopper.

Adjust the door so that it moves freely.

## 6. ROOF VENTS

Connect the side bars (1065) and the top bar (1064) depending on the pane thickness. Up to 4 mm, see (6.1). For 4 mm and over, see (6.2).

Place the bolts to connect the bottom bar (1066) in the prepared holes, and then slide the glass into the tracks in side bars (1065) (6.3).

Now connect bottom bar (1066), and ensure that the window is totally square before tightening all bolts.

Position the window in the ridge bar from one end (6.4) and (6.5) and slide it to the required position (6.6).

Connect the window sill (1063) with the extra bolts in the roof glazing bars (6.7). If the window is connected in a corner position, then it is necessary to use bolt (2001), instead of (1001), on the corner bar.

Connect the window opener (1067) to the bottom bar (1066) (6.7) using screws (1006) (6.8). Place the plastic cap (1019) over the end of the window opener (6.6) and connect both window fixers (1016) onto the window sill (1063) using screws (1006) (6.8).

## 7. GLAZING – CLEAR GLASS

**Please note the already mentioned safety precautions.**

Press the glazing seals (1020) onto the aluminium profiles (7.3) and cut to length.

On the roof begin by positioning the glass at the eave and fix in place using the glazing spring clips (1011) (7.2). The following pane should be placed over the pane directly under it and held in place with the glass retaining clips (1012) between the panes (7.1).

On the sides please begin from the bottom.

If you've chosen polycarbonate sheets instead of glass panes, please use the instruction included in the box with the polycarbonate sheets.

## FINISHING

Fill the holes for the anchor legs with concrete.

The steel base should be connected to the foundation using screws and plugs (not provided).

If desired, it is possible to seal the greenhouse at the edges using neutral silicone. Silicone is not included.

Place the warning label inside the house.

A full range of accessories is available to help you make the most of this product. Please contact your local stockist for details.

## SAFETY NOTICE

In the event of high winds, close all doors and vents.

In the event of heavy snowfall, clear the roof of the building or take suitable measures to support the roof. Heat the building in winter.

## COMMENTS

For the complete protection of your new greenhouse, we advise you to include it in your house insurance. Please take note of possible building rules relating to the positioning of greenhouses.

Please stick the greenhouse model label provided onto the door bar (1362) after successfully assembling this product. This information is important in the event that replacement parts are later required.

Please keep these Assembly Instructions in a safe place, for future reference!

Our policy is one of continuous improvement and we reserve the right to change the specifications without prior notice.

# Sicherheitsvorkehrungen

## 1. BITTE LESEN SIE DIESE MONTAGEANLEITUNG VOR BEGINN DES AUFBAUS KOMPLETT DURCH!

- Bei der Handhabung von Glas, Polycarbonatplatten oder Gewächshausteilen sind immer eine Schutzbrille, Handschuhe, Sicherheitsschuhe und ein Kopfschutz zu tragen, da scharfe Kanten zu Verletzungen führen können. Gebrochenes Glas ist ein Sicherheitsrisiko. Beseitigen Sie es mit der gebotenen Vorsicht.
- Das von Ihnen erworbene Produkt ist für die Aufzucht von Pflanzen konstruiert und sollte auch ausschließlich dafür genutzt werden. Bei anderweitiger Nutzung ist jegliche Haftung ausgeschlossen.
- Für die Montage dieses Produktes sind zwei Personen erforderlich.
- Sollten Sie beim Montieren des Hauses oder beim Einsetzen der Verglasung Schwierigkeiten haben, dann setzen Sie sich bitte mit Ihrem Händler in Verbindung – **Wenden Sie keine Gewalt an!**
- Das Gewächshaus muss verankert werden.

## Aufbaubeschreibung

### STANDORTWAHL

Suchen Sie den sonnigsten, aber gleichzeitig einen windgeschützten Platz aus.

### WICHTIG

Bevor Sie mit der Montage Ihres Gewächshauses beginnen, überprüfen Sie, ob alle in der Liste aufgeführten Teile vorhanden sind. Nehmen Sie die einzelnen Bündel aus der Verpackung, um sie besser identifizieren zu können.

Es ist wichtig, dass die geöffneten Bündel nicht durcheinander geraten.

„Leerschraube“ = Schraube und Mutter für die spätere Befestigung von Teilen, vorerst ohne sichtbare Funktion.

Fehlt etwas, dann setzen Sie sich bitte mit Ihrem Lieferanten in Verbindung.

**Muttern (1002) mit max. 3Nm anziehen.**

### BENÖTIGTE WERKZEUGE

Schraubendreher (Schlitz und Kreuzschlitz PH2), 1 Schraubenschlüssel 10 mm, Ring-Gabelschlüssel, Messer, Zollstock, Wasserwaage, Akku-Schrauber mit einstellbarem Drehmoment.

### WARTUNG

Das Gewächshaus sollte hin und wieder gründlich mit einer neutralen Waschmittellauge abgewaschen werden. Das Glas kann mit einem Reinigungsmittel gesäubert werden, das weder Kunststoffteile, den Aluminiumrahmen, noch die Glasfederklammern angreift. Reinigen Sie regelmäßig die Türlaufschiene.

### 0A. FUNDAMENT

**Wichtig!** Das Fundament muss absolut rechtwinklig und eben sein.

**(Achtung!** Nur wenn das Gewächshaus an

einer sehr ungeschützten und windigen Stelle aufgebaut werden muss: Durchbohren Sie die Grundprofile und das Stahlfundament und verschrauben Sie beide mit Schrauben und Muttern miteinander)

Wenn Sie ein Fundament aus Stein oder Beton fertigen, dann richten Sie sich bitte nach den Maßangaben im Abschnitt 0A. Beachten Sie bitte, dass bei Verwendung der Verankerungswinkel (9001) Löcher an den bezeichneten Punkten (C) ausgespart werden müssen.

Das Fundament muss frostfrei gegründet werden.

**Alle Zeichnungen sind von der Innenseite des Hauses gesehen abgebildet, mit Ausnahme der Abbildungen, die in einem Doppelrahmen dargestellt sind. Diese beschreiben die Außenansicht.**

### 0B. STAHLFUNDAMENT

Ein verzinktes Stahlfundament wird mitgeliefert. Wir empfehlen die Verwendung von Verankerungswinkeln (9001). Füllen Sie die für die Verankerungswinkel vorbereiteten Löcher erst, nachdem das Haus komplett aufgebaut ist.

Die Teile wie abgebildet verschrauben mit Schrauben (1001) und Muttern (1002).

**Wichtig!** Stellen Sie sicher, dass der Abstand zwischen den Fundament-Innenseiten (9042) und (9043) 634 mm beträgt, wie in der Zeichnung angegeben.

Die Enden der Verankerungswinkel biegen, um eine sichere Verankerung im Beton zu erhalten. Das fertige Stahlfundament auf das vorbereitete Streifenfundament legen.

**Achtung!** Der Beton sollte erst gegossen werden, wenn das Haus vollständig montiert ist.

### 1. SEITENTEILE

Alle Teile auf dem Boden auslegen und lose verschrauben.

### 2. GIEBELENDE OHNE TÜR

Auch diese Teile auf dem Boden auslegen und lose verschrauben.

In jede senkrechte Verglasungsleiste (1341 u. 1342) eine Leerschraube einfügen (2.2).

### 3. GIEBELSEITE MIT TÜR

Wiederum die Teile auf dem Boden ausbreiten und lose verschrauben.

Die Türlaufschiene (1347) wird an der waagrecht über der Tür liegenden Schiene (1348) angebracht. Verschrauben Sie diese von außen lose mit zwei Schrauben und Muttern. Je nachdem, in welche Richtung Sie die Tür öffnen wollen, richten Sie die Türlaufschiene (1347) nach rechts oder links aus.

### 4. ZUSAMMENBAU DER EINZELNEN ELEMENTE

Montieren Sie die Wände auf dem Stahlfundament und mittels Klammern (9002) lose mit dem Fundament verschrauben. (4.2) (4.3) (4.4).

Die Seitenteile mit den Giebelseiten verschrauben (4.1/4.2).

Die Diagonalen (1333) wie in (4.1) und (4.4) dargestellt anbringen.

Den Dachfirst montieren (4.5). Jetzt die Dachstreben (1355) mit dem Dachfirst und den Traufen verschrauben (4.6/4.7). In jede Dachstrebe (1355) je 1 Leerschraube einfügen. Zusätzlich bei jeweils 2 Dachstreben (1355) je da eine Leerschraube hinzugeben (4.7), wo später das Dachfenster eingesetzt werden soll. Versteifung (1356) wie in (4.7) dargestellt anbringen.

Die Türlaufschiene (1334) mit den langen Stahlfundament-Profilen (9042) und (9043) mittels der zuvor in den Schraubenkanal (1334) geschobenen Schrauben (1001)

verschrauben. (4.3)

Jetzt prüfen, ob das Haus absolut rechtwinklig ist, sonst entsprechend verrücken.

Anschließend die Schrauben fest anziehen.

**Die Schrauben müssen fest, aber nicht zu fest angezogen werden. (max. 3Nm)**

Die Stütze (1357) der Türlaufschiene (1347) mit der Giebelseite verschrauben (4.8). Im unteren Bereich verschrauben Sie die Türstütze mit der Schraube (4201) und dem Abstandsstück (1310)(4.9).

Die Schutzkappen (1017/1018) auf die Profilenden drücken (4.10).

## 5. TÜR

**Achtung: Niemals die montierte Tür auf die Türgleiter (1014) stellen, damit sie nicht beschädigt werden!**

Die Türgleiter (1014) an den Enden in das Türprofil (1360) hineindrücken (5.1).

Die Türelemente, wie in Abbildung 5 gezeigt, zusammenschrauben.

Verschrauben Sie das Türprofil (1362) mit dem oberen Türprofil (1359) (5.3) und ziehen Sie die Türdichtungen (3021) in die senkrechten äußeren Streben der Tür ein (1350)(5.5). Führen Sie die Schrauben (1500) in den unteren Schraubenkanal, der die Bürstendichtungen (3021) hält, ein und verschrauben sie an dieser Stelle mit den Muttern (1515) (5.6). Schneiden Sie die Türdichtungen (3021) auf Länge.

Die Türrollen (1015), wie in (5.4) gezeigt, mittels der Schrauben (1304), Unterlegscheiben (1009) und Muttern (1007) mit dem Türoberteil (1362) verschrauben.

Die Türrollen werden in die Türschiene (1347) hinein geschoben. Es muss sichergestellt werden, dass die unteren Türführungen gemäß Abbildung (5.8) eingeführt werden.

Nachdem Sie nach Schritt 5 die Tür eingesetzt haben, setzen Sie eine Schraube und Mutter als Türstopper an der offene Enden der Türschiene (1347).

Die Tür so einstellen (5.7), dass sie reibungslos läuft.

## 6. DACHFENSTER

Das Dachfenster entsprechend der Abbildung zusammenschrauben. Die Seitenrahmen (1065) mit dem Dachfensteroberteil (1064) verschrauben. Bei einer Verglasung dünner als 4 mm wie (6.1), bei einer Verglasung 4 mm oder dicker wie (6.2).

Das Glas in die Seitenrahmen (1065) hinein schieben (6.3), aber vorher Schrauben in die Bohrungen der Seitenrahmen hineinstecken.

Jetzt das untere Fensterprofil (1066) mit den Seitenrahmen verschrauben.

**Achtung: Das Fenster muss rechtwinklig sein.**

Das Dachfenster in den First vom Firstende

aus einführen und das Fenster in die vorge-sehene Stellung bringen (6.4/6.5/6.6).

Die Dachfensterschwelle (1063) entsprechend (6.7) mit den vorhandenen Leerschrauben festschrauben. Wird das Fenster an einem Außenfeld montiert, benötigen sie an dem Außenprofil anstelle der Schraube (1001) die Schraube (2001). Den Dachfensteraufsteller (1067) mit dem unteren Fensterprofil verschrauben. Hierbei werden die Schrauben (1006) verwendet (6.8).

Die vorhandene Gummikappe (1019) über das untere Ende des Dachfensteraufstellers streifen (6.6). Die beiden Einrastzapfen (1016) auf der Dachfensterschwelle mit den Schrauben (1006) festschrauben (6.8).

## 7. VERGLASUNG BLANKGLAS

**Bitte beachten Sie die oben erwähnten Sicherheitsvorkehrungen.**

Drücken Sie die Glasdichtung (1020) auf die Alu-Profile (7.3) und schneiden Sie sie entsprechend auf Länge.

Beginnen Sie mit der Verglasung im Dachbereich an der Traufe und benutzen Sie hierzu die Glasfederklammern (1011) (7.2).

Die folgende Scheibe sollte über die direkt darunter liegende Scheibe platziert werden mit den Glashalteklammern (1012) zwischen den Scheiben (7.1).

Beginnen Sie mit der Verglasung der Seiten bitte von unten.

**Wenn Sie das Gewächshaus mit Hohlkammerplatten verglasen, richten Sie sich bitte nach dem Verglasungsplan, der den Hohlkammerplatten beiliegt.**

## DIE LETZTEN HANDGRIFFE

Füllen Sie die Löcher für die Verankerungswinkel mit Beton.

Das Stahlfundament mit Schrauben und Dübeln (nicht im Lieferumfang enthalten) mit dem Streifenfundament verbinden.

Wenn Sie es wünschen, können Sie das Gewächshaus an den vorhandenen Fugen mit neutral vernetzendem Silikon abdichten. Das Silikon gehört nicht zum Lieferumfang.

Den beiliegenden Warnungsaufkleber von innen aufkleben.

Ihr Lieferant hält ein reichhaltiges Sortiment an Gewächshaus-Zubehör für Sie bereit. Sprechen Sie ihn an.

## SICHERHEITSHINWEIS

Bei starkem Wind sollten alle Öffnungen und die Tür geschlossen werden.

Dächer von Gewächshäusern sind so rechtzeitig von Schnee zu räumen, dass keine gefährliche Schneebelastung eintreten kann.

Beheizen Sie das Gewächshaus im Winter.

## ANMERKUNGEN

Zum vollen Schutz des Gewächshauses empfehlen wir, es mit in Ihre **Hausversicherung** einzuschließen. Beachten Sie eventuell vorhandene örtliche Bauvorschriften.

Den mitgelieferten Typaufkleber nach erfolgter Montage des Gewächshauses auf das Radgehäuse (1362) kleben.

Die Typbezeichnung benötigen Sie zur Angabe bei der Bestellung evtl. benötigter Ersatzteile. Bitte heben Sie die Montageanleitung auf!

Alle Maßangaben sind Annäherungswerte. Änderungen vorbehalten.

# Précautions d'emploi

## 1. MERCI DE LIRE CES INSTRUCTIONS INTEGRALEMENT AVEC ATTENTION AVANT DE COMMENCER LE MONTAGE !

- Les rebords coupants peuvent provoquer des blessures. Toujours porter des lunettes et des gants de protection, des chaussures de sécurité et un lors de la manipulation des profilés en aluminium, du verre et des panneaux alvéolaires. Le verre brisé est une source de dangers – merci de toujours éliminer les bris de verre immédiatement et avec prudence.
- Le produit que vous venez d'acquérir a été conçu exclusivement pour la culture de plantes et doit être utilisé uniquement dans cet objectif. Nous excluons toute responsabilité en cas d'autre utilisation.
- Deux personnes sont nécessaires pour réaliser le montage de ce produit.
- Si vous deviez rencontrer des difficultés lors du montage de la structure ou de l'installation du vitrage, merci de contacter votre revendeur  
– **N'ayez pas recours à la force !**
- La serre doit toujours être ancrée.

## Descriptif de la construction

### CHOIX DE L'EMPLACEMENT

Choisissez l'emplacement le plus ensoleillé mais aussi le mieux protégé du vent.

### IMPORTANT

Avant de commencer le montage de votre serre, vérifiez que vous disposez de toutes les pièces telles qu'elles sont indiquées dans la liste. Retirez les différents paquets de l'emballage pour mieux les identifier.

Il est important de ne pas mélanger les paquets ouverts.

« boulon » = vis et écrou pour la fixation ultérieure de pièces, sans fonction visible dans un premier temps.

Si un composant manque, merci de contacter votre revendeur.

**Serrer les écrous (1002) avec 3Nm maxi.**

### OUTILS NÉCESSAIRES

Tournevis (à fente et cruciforme PH2), 1 clé à disques de 10 mm, clé mixte, cutter, mètre pliant, niveau à bulle, visseuse sans fil avec moment de force réglable.

### MAINTENANCE

La serre doit être nettoyée de temps en temps à fond avec une lessive neutre. Les vitres peuvent être nettoyées avec un produit qui n'attaque ni les pièces en plastique ni le cadre en aluminium ni les pinces à ressort des vitres. Nettoyez régulièrement le rail de la porte.

### 0A. FONDATION

**Important !** Les fondations doivent être parfaitement perpendiculaires et planes.

**(Attention !** Uniquement quand la serre doit être montée à un emplacement non protégé et exposé au vent : percez le profil de base et les fondations en acier et vissez-les ensemble avec des vis et des écrous)

Cependant, si vous souhaitez poser des

fondations en pierre ou en béton, merci de vous orienter alors sur les dimensions indiquées au paragraphe 0A. Lorsque vous utilisez les équerres d'ancrage (9001), veillez à ménager les trous aux points marqués (C).

Les fondations doivent être à l'abri du gel.

**Tous les schémas représentent la vue de l'intérieur de la construction exception faite des illustrations imprimées dans un double encadré. Elles décrivent alors une vue de l'extérieur.**

### 0B. FONDATIONS EN ACIER

Des fondations en acier galvanisé sont fournies dans la livraison. Nous recommandons d'utiliser des équerres d'ancrage (9001). Ne comblez les trous préparés pour les équerres d'ancrage qu'une fois que la construction est entièrement montée.

Vissez les pièces avec des vis (1001) et des écrous (1002) comme indiqué sur l'illustration.

**Important !** Assurez-vous que l'écart entre les parties inférieures des fondations (9042) et (9043) est bien de 634 mm comme indiqué sur l'illustration.

Plier les extrémités des équerres d'ancrage pour obtenir un ancrage sûr dans le béton.

Posez les fondations en aciers terminées sur la semelle filante préparée.

**Attention !** Ne verser le béton qu'une fois que la construction est entièrement assemblée.

### 1. PAROIS LATÉRALES

Placez toutes les pièces sur le sol et vissez-les légèrement.

### 2. EXTRÉMITÉ DU PIGNON SANS PORTE

Placez également toutes les pièces sur le sol et vissez-les légèrement.

Insérer un boulon dans chaque barre de vitrage (1341 et 1342) (2.2).

### 3. EXTRÉMITÉ DU PIGNON AVEC PORTE

Placez à nouveau toutes les pièces sur le sol et vissez-les légèrement.

Le rail de la porte (1347) est monté sur le rail installé horizontalement au-dessus de la porte (1348). Vissez-le légèrement avec deux vis et deux écrous

Selon le sens dans lequel vous souhaitez ouvrir la porte, alignez le rail de la porte (1347) vers la droite ou vers la gauche.

### 4. ASSEMBLAGE DES DIFFÉRENTS ÉLÉMENTS

Montez les parois sur les fondations en acier et vissez-les légèrement avec les pinces (9002). (4.2) (4.3) (4.4).

Vissez les éléments latéraux avec les parois latérales du pignon (4.1/4.2).

Poser les diagonales (1333) comme indiqué sur (4.1) et (4.4).

Monter le faitage (4.5). Visser à présent les solives (1355) avec le faitage et les gouttières (4.6/4.7). Insérer 1 boulon dans chaque solive (1355). En plus, pour chaque groupe de deux solives (1355), ajouter à chaque fois un boulon (4.7) où une lucarne sera installée plus tard. Poser les raidissements (1356) comme indiqué sur (4.7).

Visser les rails de la porte (1334) avec les profilés longs des fondations en acier (9042) et (9043) au moyen des vis (1001) insérées auparavant dans les canaux de vis (1334). (4.3)

Contrôler à présent que la construction est bien perpendiculaire, si ce n'est pas le cas la décaler en fonction. Serrer ensuite les vis à fond.

**Les vis doivent être serrées mais pas trop. (3 Nm maxi.)**

Visser l'appui (1357) du rail de la porte (1347)



avec la partie latérale du pignon (4.8). Dans la partie inférieure, vissez l'appui de la porte avec la vis (4201) et l'entretoise (1310) (4.9).

Enfoncer les bouchons de protection (1017/1018) sur les extrémités des profilés (4.10).

## 5. PORTE

**Attention : Ne jamais poser la porte montée sur les patins de la porte (1014) pour ne pas les endommager !**

Enfoncer les patins de la porte (1014) aux extrémités du profilé de la porte (1360) en appuyant dessus (5.1).

Vissez les éléments de la porte ensemble comme indiqué sur l'illustration 5.

Vissez le profilé de la porte (1362) au profilé supérieur de la porte (1359) (5.3) et faites passer les joints de la porte (3021) dans les étais verticaux extérieurs de la porte (1350) (5.5). Insérez les vis (500) dans le canal de vis inférieur qui maintient les colmatages par brosses (3021) et fixez-le en place avec les écrous (1515) (5.6). Coupez les joints de la porte (3021) à la bonne longueur.

Visser les roulettes des portes (1015) comme indiqué sur (5.4) au moyen des vis (1304), des rondelles (1009) et des écrous (1007) avec la partie supérieure de la porte (1362).

Les roulettes des portes sont insérées dans les rails des portes (1347). Il faut cependant s'assurer que les guidages inférieurs de la porte sont insérés comme indiqué sur l'illustration (5.8).

Après avoir installé la porte conformément à l'étape 5, insérer une vis et un écrou aux extrémités ouvertes du guidage de la porte (1347) comme bloque-porte.

Régler la porte (5.7) de manière à ce qu'elle se déplace sans être gênée.

## 6. LUCARNE

Visser la lucarne comme indiqué sur l'illustration. Visser les cadres latéraux (1065) à la partie supérieure de la lucarne (1064). Si l'épaisseur du vitrage est inférieure à 4 mm procéder comme au point (6.1), si elle est supérieure ou égale à 4 mm procéder comme au point (6.2).

Insérer la vitre dans le cadre latéral (1065) (6.3) après avoir auparavant inséré les vis dans les perçages du cadre latéral.

Visser à présent le profilé de fenêtre inférieur (1066) avec le cadre latéral.

**Attention : La fenêtre doit être à angle droit.**

Insérer la lucarne dans le faite par l'extrémité de ce dernier et placer la fenêtre sur sa position prévue (6.4/6.5/6.6).

Visser le seuil de la lucarne (1063) à fond conformément à (6.7) avec les boulons fournis. Si la fenêtre est montée sur un champ

extérieur, vous avez alors besoin sur le profilé extérieur de la vis (2001) au lieu de la vis (1001). Visser le mécanisme d'ouverture et de fermeture de custode de la lucarne (1067) avec le profilé de fenêtre inférieur. Utiliser ici les vis (1006) (6.8).

Passer le bouchon en caoutchouc existant (1019) par-dessus l'extrémité inférieure du mécanisme d'ouverture et de fermeture de custode de la lucarne (6.6). Visser les deux pignons enfichables (1016) à fond sur le seuil de la lucarne avec les vis (1006) (6.8).

## 7. VITRAGE DU VERRE CLAIR JARDINIER

**Merci de respecter les consignes de sécurité indiquées ci-dessus.**

Enfoncez le joint de glace (1020) dans le profilé en aluminium (7.3) et découpez-le à la longueur désirée.

Commencez le vitrage du toit par la gouttière et utilisez pour cela les pinces à ressort des vitres (1011) (7.2).

La vitre suivante doit être placée directement sur la vitre située en-dessous avec les pinces à ressort des vitres (1012) entre les vitres (7.1).

Merci de commencer le vitrage des côtés par le bas.

**Si vous vitrez la serre avec des panneaux alvéolaires, merci d'utiliser alors le plan de vitrage joint aux panneaux alvéolaires.**

## LES DERNIERS GESTES

Comblez les perçages pour les équerres d'ancrage avec du béton.

Raccorder les fondations en acier à la semelle filante avec des vis et des chevilles (non comprises dans la livraison).

Si vous le souhaitez, vous pouvez colmater les joints existants sur votre serre avec de la silicone réticulée neutre. La silicone n'est pas comprise dans la livraison.

Coller l'autocollant d'avertissement ci-joint à l'intérieur.

Votre fournisseur tient une vaste gamme d'accessoires pour serres à votre disposition.

Contactez-le.

## CONSIGNES DE SÉCURITÉ

En cas de vent fort, toutes les ouvertures et toutes les portes doivent être fermées.

Les toits des serres doivent être rangés à temps avant la chute de neige de manière à éviter toute charge dangereuse due à la neige.

Chauffez la serre pendant l'hiver.

## REMARQUES

Pour protéger votre serre au maximum, nous recommandons de l'inclure à votre couverture

d'**assurance ménagère**. Prenez en compte les éventuelles réglementations locales en vigueur.

Coller l'autocollant signalétique fourni sur le boîtier des roulettes (1362) une fois le montage terminé.

Vous aurez besoin de cette désignation pour commander d'éventuelles pièces de rechange. Merci de conserver les instructions de montage !

Toutes les dimensions indiquées sont des valeurs approximatives.

Sous réserve de modifications.

# Veiligheidsvoorschriften

1. **LEEST U EERST DE GEHELE INSTRUCTIES DOOR ALVORENS TE BEGINNEN MET DE OPBOUW VAN DE KAS.**
2. Draag altijd handschoenen als u met glas, polycarbonaat platen of aluminium werkt, deze kunnen scherpe hoekjes en/of randen hebben die tot verwondingen kunnen leiden. Indien glas gebroken is dient u het veilig en meteen op te ruimen.
3. Het product dat u heeft gekocht is alleen bestemd voor het kweken van planten. Wanneer deze voor andere doeleinden zal worden gebruikt dragen wij hier geen verantwoordelijkheid voor.
4. Wij raden u aan de kas met twee personen in elkaar te zetten.
5. Mocht u problemen hebben het glas of polycarbonaat platen in te passen, neem dan contact op met uw leverancier. **Gebruik geen geweld.**
6. De kas moet altijd worden verankerd.

## Montage Instructies

### KIEZEN PLAATS

Probeer altijd een zonnige plaats te kiezen die zoveel mogelijk tegen wind beschermt is.

### BELANGRIJK

Controleer a.u.b. of u alle onderdelen op de meegeleverde lijst hebt voordat u begint aan het in elkaar zetten van uw nieuwe kas. Haal a.u.b. elk pakket uit de doos om de onderdelen beter te identificeren.

Het is belangrijk dat de open pakketten niet door elkaar gehaald worden.

Als er onderdelen ontbreken, neem dan a.u.b. contact op met uw leverancier.

**Moertjes (1002) - Max. aanhaalmoment 3Nm.**

### VEREISTE GEREEDSCHAPPEN

Schroevendraaiers (normale en kruiskop PH2), een 10 mm moer- of steeksleutel, een 10 mm combinatiesleutel, mes, maatstok, waterpas, accuboormachine met instelbaar moment.

### ONDERHOUD

Om uw kas schoon te houden dient deze af en toe grondig gereinigd te worden met een zacht reinigingsmiddel. Zorg er a.u.b. voor dat het reinigingsmiddel niet het aluminium aantast of de beglazingsclips.

Om te voorkomen dat zich vuil ophoopt in de deurrails, zal men deze regelmatig moeten schoonmaken.

### 0A. FUNDERING

**Belangrijk!** Let op dat de fundering haaks en waterpas staat.

**(Attentie!** Alleen als de kas op een erg winderige en onbeschermd plaats staat dan moet u de kas en de fundering aan elkaar maken. Door middel van gaatjes te boren door de profielen en deze aan elkaar te maken met behulp van moertje en boutjes.)

Als u liever uw eigen stenen of betonnen fundering wilt gebruiken, volg dan a.u.b. de afmetingen in diagram 0A.

Als u ervoor kiest om de bij de stalen fundering geleverde verankeringspoten te gebruiken, maak dan een gat op elk punt dat met C is gemarkeerd. Deze worden met beton gevuld nadat de montage van de kas voltooid is.

De fundering moet tot beneden de vorstgrens zitten.

**Op de tekeningen met het enkelvoudige frame wordt de binnenkant van de kas getoond. Op de tekeningen met het dubbele frame wordt de kas van de buitenkant bekeken.**

### 0B. STALEN FUNDERING

Er wordt bij de kas een gegalvaniseerde fundering geleverd.

Wij adviseren om de verankeringspoten (9001) te gebruiken.

Assembleer de onderdelen zoals aangegeven staat met boutjes (1001) en moertjes (1002).

**Belangrijk!** Zorg ervoor dat er zoals aangegeven een ruimte van 634 mm overblijft tussen de binnenkanten van de lange kanten van de fundering (9042) en (9043) vóór de kas.

Buig de uiteinden van de verankeringspoten om een stevige verbinding met het beton te krijgen.

Plaats de voltooide fundering op het voorbereide fundament.

**(Attentie!** Het beton moet worden gestort nadat de kas volledig in elkaar is gezet.)

### 1. ZIJKANTEN

Leg alle onderdelen uit op de grond en schroef ze losjes aan elkaar.

### 2. ACHTERGEVEL

Leg alle onderdelen uit op de grond en schroef ze losjes aan elkaar.

Breng a.u.b. een extra verbindingbout aan in elk profiel (1341) en (1342) om de schoor (1335) (2.2) te monteren.

### 3. DEURGEVEL

Leg alle onderdelen uit op de grond en schroef ze losjes aan elkaar.

Het deurrailprofiel (1347) wordt vastgemaakt aan het horizontale profiel (1348). Verbind deze twee losjes vanaf de buitenkant met twee schroefjes en boutjes.

Richt het deurrailprofiel (1347) naar links of naar rechts uit, afhankelijk van de richting waarin de deur moet opengaan.

### 4. HET SAMENVOEGEN VAN DE LOSSE ELEMENTEN

Monteer de structuur van de ondergrond uit staal en sluit losjes met behulp van clips (9002) (4.2) (4.3) (4.4).

Schroef de zijkanten aan de beide gevels. (4.1) & (4.2).

Verbind de zijschoren (1333) tussen de nokbalk en de dorpelprofielen (4.1) & (4.4).

Bevestig de nokbalk aan beide kopgevels. (4.5).

Verbind nu de dakprofielen (1355) tussen de zijkanten (4.6) en de nokbalk (4.7). Er moet nu een extra boutje worden toegevoegd aan elk dakprofiel (1355) om de dakschoren (1356) te verbinden. Voeg bovendien een extra boutje toe in 2 van de dakprofielen (1355) op de plaats waar later het/de dakraam/dakramen worden geplaatst.

Nu kunnen de dakschoren (1356) worden verbonden (4.7).

Verbind het deurrailprofiel (1334) met in het (1334) boutkanaal (4.3) gestoken boutjes (1001) met de lange zijden van de

staalfundering (9042) en (9043).

Kijk na of de kas volledig haaks en waterpas staat en draai alle moertjes stevig aan.

### **Belast de moertjes niet met teveel kracht bij het aandraaien. (max. 3Nm)**

Bevestig het steunprofiel (1357) met het deurrailprofiel (1347) (4.8) en de gevel met behulp van bout (4201) en afstandsbus (1310) (4.9)

Duw de eindbeschermers (1017) en (1018) op de hoeken (4.10).

## **5. DEUR**

### **Attentie: Zet de gemonteerde deur niet op de deurgeleiders (1014), dit om beschadiging te voorkomen.**

Duw de deurgeleiders (1014) in beide kanten van het deurprofiel (1360) (5.1).

Assembleer de deur zoals in diagram 5.

Schroef het deurprofiel (1362) aan het bovengelegen profiel (1359) (5.3) en schuif de deurrubbers (3021) in de beide zijprofielen (1350) (5.5). Schuif bouten (1500) in de onderkant van het boutkanaal met borstelrubbers (3021) en zet deze vast op hun plaats met een moer (1515) (5.6). Snij de deurrubbers (3021) op de juiste lengte.

Verbind de deurtieltjes (1015) met boutje (1304), ringetje (1009) en moer(1007) aan het deurprofiel (5.4).

Schuif nu de deurtieltjes in het deurrailprofiel (1347) (5.7). Zorg ervoor dat de deurgeleiders aan de onderkant ook in de geleiding lopen (5.8). Als de deur eenmaal op de goede plaats zit, dan kunt u door middel van een moertje en een boutje op het einde van het deurrailprofiel (1347) een deurstop creëren.

Plaats de deur zodat hij soepel loopt.

## **6. DAKRAMEN**

Bevestig de zijprofielen (1065) aan het topprofiel (1064), afhankelijk van de dikte van het glas.

Tot 4 mm, zie (6.1). Voor 4 mm en hoger, zie (6.2).

Plaats de boutjes in de voorgeboorde gaatjes om het onderprofiel (1066) te verbinden.

Schuif dan het glas in de zijprofielen (1065) (6.3).

Verbind nu het onderprofiel (1066) en zorg er voor dat het raam recht zit alvorens alle boutjes aan te draaien.

Positioneer het raam in de nokbalk vanaf een kant (6.4)(6.5), en schuif het in de juiste positie.(6.6)

Monteer het kalfje (1063) met de extra boutjes aan de dakbeglazingsprofielen (6.7). Als het raam in een hoek wordt verbonden, moet boutje (2001), in plaats van (1001), op het hoekprofiel worden gebruikt.

Verbind de raamopener (1067) met het onderprofiel (1066) (6.7) door middel van schroeven (1006) (6.8). Bevestig beide raamuitzetpinnen (1016) op het kalfje (1063) door middel van de schroeven (1006)(6.8). Plaats dan het plastic dopje (1019) over het eind van de raamopener (1067).

## **7. BEGLAZING – BLANK GLAS**

### **Denkt u alstublieft aan de al eerder genoemde veiligheidsregels voor het werken met glas.**

Duw het rubberen beglazingsprofiel (1020) op de aluminium profielen (7.3) en snij het op de juiste lengte.

Begin op het dak met het positioneren van het glas in de nokbalk en zet het daarna vast met de clips (1011) (7.2). De volgende glasplaat moet precies over de direct eronder liggende glasplaat worden geschoven en op zijn plaats worden gehouden met de Z-clips (1012) tussen de platen in (7.1).

Begin onderaan bij het beglazen van de zijwanden.

### **Als u polycarbonaat platen in plaats van glasplaten hebt gekozen, volg dan a.u.b. de instructie die in de doos bij de polycarbonaat platen zit.**

## **AFWERKING**

Vul de gaten voor de verankeringspoten met beton.

De stalen fundering moet door middel van schroeven en pluggen (niet meegeleverd) aan het fundament worden vastgemaakt.

Desgewenst kan de kas aan de randen worden afgedicht met neutrale siliconenkit. Silicone is niet inbegrepen.

Plaats het waarschuwingsticker aan de binnenkant van de kas.

Er is een compleet assortiment accessoires beschikbaar om dit product ten volle te benutten. Voor meer informatie kunt u contact opnemen met uw leverancier.

## **VEILIGHEIDSREGELS**

Sluit bij zware wind altijd alle deuren en ramen.

Houd bij zware sneeuwval het dak van de kas vrij of zorg voor een goede ondersteuning van het dak. Verwarm de kas in de winter.

## **COMMENTAAR**

Voor de gehele bescherming van uw nieuwe kas raden wij u aan om deze op te nemen in uw opstalverzekering. Denk er ook aan dat de kas aan alle bouwweisen moet voldoen en houd ook rekening met de plaats van de kas.

Plak alstublieft de sticker van het kasmodel op

het deurprofiel (1362) nadat de kas succesvol is geïnstalleerd. Deze informatie is belangrijk voor het vervangen van onderdelen in de toekomst.

Bewaar deze assemblage-instructies a.u.b. op een veilige plek zodat u deze nog altijd kunt nalezen!

Ons beleid is gebaseerd op het continu verbeteren van onze producten en hierdoor behouden wij ons het recht voor om modellen te veranderen zonder verdere berichtgeving.

- 1. VENLIGST LÆS DENNE MONTAGEVEJLEDNING INDEN DE GÅR I GANG MED SAMLING AF DERES DRIVHUS.**
- Når De arbejder med glas eller polykarbonat, skal De altid bruge handsker. Skarpe kanter kan forårsage skader. Også skarpe kanter eller hjørner på aluminiumsprofiler kan forårsage skader – brug derfor også altid handsker ved montering af disse.
- Dette produkt er konstrueret som et drivhus beregnet til planteavl og er som sådan ikke konstrueret til at være helt tæt, da det er nødvendigt med udluftning bl.a. for at undgå kondensdannelse. Såfremt De ønsker at anvende drivhuset som et "uderum/stue" eller lignende, gør vi udtrykkeligt opmærksom på, at drivhuset ikke er 100 % vandtæt, og at vi ikke påtager os noget ansvar for eventuelle skader på løsøre el. lign., der er anbragt i drivhuset.
- Til montage af dette produkt kræves 2 personer.
- Skulle De få problemer med drivhusmontagen eller med glasisætningen, bedes De sætte Dem i forbindelse med Deres forhandler – **anvend ikke vold!**
- Den vedlagte selvklæbende identifikationsetiket anbringes indvendigt i drivhuset – f.eks. indvendig på døren eller lign. Oplysningerne på etiketten vil gøre det meget lettere for Dem at fremskaffe reservedele, såfremt dette skulle blive aktuelt.
- Drivhuset bør gøres forsvarligt fast til undergrunden.

Vi ønsker Dem god arbejdslyst og håber, at De får rigtig mange gode stunder med og i Deres Vitavia drivhus.

## Montage

Når De har læst denne vejledning opfordrer vi Dem til at besøge vor hjemmeside på [www.vitavia.dk](http://www.vitavia.dk)

Her kan De finde gode råd, downloade vejledninger og desuden se instruktionsvideoer, der viser samling af Vitavia drivhuse.

### PLACERING

Vælg et solrigt sted, hvor der er mest mulig læ. Vær endvidere opmærksom på, at ved placering i nærheden af høje bygninger, træer mv. kan der opstå turbulens ved kraftig blæst. En sådan placering bør derfor undgås.

### VIGTIGT

Før De begynder at samle Deres drivhus, kontroller venligst efter indholdsfortegnelsen, at alle dele er medleveret. Tag de enkelte bundter ud af kassen for bedre at kunne kontrollere indholdet.

Det er vigtigt ikke at blande de åbnede bundter.

Hvis der mangler noget, kontakt venligst Deres forhandler.

### NØDVENDIGT VÆRKTØJ

Almindelig skruetrækker, skruetrækker (bits) PH2 og PZ2, 10 mm fastnøgle/topnøgle, 10 mm ring/gaffelnøgle, målebånd og loddestok/vaterpas, hobbykniv, skævbider, trappestige 1,80 m.

Akku-skruemaskine med moment.

**NB! Såfremt De anvender en akku-maskine til samling af bolte og møtrikker, må momentet maksimalt være 3 Nm.**

### VEDLIGEHOLDELSE

Drivhuset bør lejlighedsvis rengøres grundigt med et mildt vaskemiddel, f.eks. Vitavia drivhusrens. Glasset kan rengøres med et hvilket som helst rengøringsmiddel, der ikke skader aluminiumsprofiler eller kunststof.

Dørskinnerne bør regelmæssigt rengøres og

smøres med stearin/grafitolie.

### 0A. FUNDAMENT

**Vigtigt!** Anvend et vaterpas til at kontrollere, at soklen er vandret. Vær omhyggelig med at sikre, at krydsmålene er ens som vist på tegning 0. Derved sikres at alle vinkler er 90°.

**NB!** Skal drivhuset placeres et vindudsat sted, anbefaler vi, at man borer hul igennem bundskinnen og stålsoklen og bolter disse sammen med bolte og møtrikker).

Dette gøres ud for de lodrette profiler i sider og gavle.

Ønsker De selv at bygge et sten- eller betonfundament, følg da dimensionerne, som er vist i afsnit 0A. Fastgør en trykimprægneret træliste mellem fundamentet og bundskinnen på drivhuset som vist. Materialer til dette indgår ikke i leverancen.

Ved støbning af fundament bør dette gå ned i frostfri dybde. Derved reduceres risikoen for, at der opstår skader på huset som følge af frostpåvirkninger af jorden.

**NB!** Støbning/fastgørelse til undergrunden er i mange tilfælde et krav fra forsikringsselskaber for at opnå forsikringsdækning på drivhuset. Vi anbefaler, at De kontakter Deres forsikringsselskab for at høre om reglerne, der er gældende hos Deres selskab.

**Alle tegninger af drivhuset er set indefra, undtagen de tegninger, hvor der er dobbeltstreg udenom. Disse er set udefra.**

### 0B. STÅLSOKKEL

Der medfølger en el-galvaniseret stålsokkel til drivhus model VM0036-AP.

Vi anbefaler, at De anvender de medfølgende nedstøbningsbeslag (9001), uanset om De monterer drivhuset på en plan/helstøbt flade, eller om De vælger at foretage punktstøbning. Fra vores hjemmeside [www.vitavia.dk](http://www.vitavia.dk) kan De downloade en udførlig vejledning i punktstøbning.

Saml delene til soklen som vist ved hjælp af bolte (1001) og møtrikker (1002).

Hvis De vælger at foretage punktstøbning anbefaler vi, at De i hvert af de 4 hjørner som vist på tegning 0B, graver/borer et hul ned til frostfri dybde (50-90 cm afhængigt af lokale forhold). Som beskrevet i punktstøbningsvejledningen bøjes flapperne på nedstøbningsbeslagene, så de kan danne modhold i cementen.

Anbring den samlede stålsokkel på det klargjorte underlag/punktstøbningsstederne.

**VIGTIGT!** Sørg omhyggeligt for, at der er 634 mm afstand med sokkeldele 9042 og 9043 i drivhusets dørgavl som vist på tegning 0B.

### 1. SIDER

Placer delene på jorden og bolt dem løst sammen, se (1.1) til (1.3).

### 2. GAVL UDEN DØR

Placer delene på jorden og bolt dem løst sammen. Anbring en ekstra bolt i hver af de lodrette glasprofiler (1341/1342), se (2.2.) til fastgørelse af tværstiver (1335).

### 3. GAVL MED DØR

Placer delene på jorden som tidligere og bolt dem løst sammen.

Fastgør skydedørsskinnen (1347) til gavlens spær (1348). Monter løst udefra med to bolte og møtrikker.

Alt efter i hvilken retning De vil åbne døren, tilpasser De dørglideskinnen (1347) til højre eller venstre.

Monter hjørnesamlingsbeslag (1342) som i (3.2).

### 4. SAMLING

Det samlede drivhus placeres nu på den klargjorte stålsokkel og fastgøres løst til soklen ved hjælp af sokkelkroge (9002), se (4.2), (4.3) og (4.4).

Fastgør de to sideelementer til for- og baggavl (4.1) og (4.2).

Montér tagryggen (4.5).

Bolt tagspær (1355) sammen med tagrende (4.6) og tagryg (4.7).

Husk en ekstra bolt i hver tagspær til senere montage af hanebånd (1356). Husk desuden at anbringe en bolt yderligere i de tagspær i mellem hvilke, der senere skal monteres et tagvindue.

Hanebånd (1356) anbringes som vist (4.7).

Når drivhuset er færdigsamlet kan yderligere sikring foretages som omtalt i afsnit 0A.

Forbind løst dørkøreskinne (1334) med sokkeldel (9142) og (9143), vist på tegning 0B2, ved at anbringe bolte (1001) i sporet på dørkøreskinnen (1334), se (4.3).

Kontroller at drivhuset er retvinklet og i vater og stram derefter alle skruer og bolte.

**Skruerne skal skrues fast - men ikke for fast (max. 3Nm).**

Dørstøtten (1357) forbindes med dørkøreskinne (1347) med bolt (1001), skive (6060) og møtrik (1002), se (4.8).

Beskyttelseshætterne (1017) & (1018) trykkes på profilenderne (4.10).

## 5. DØR

**NB!** Undgå at stille den samlede dør på dør-gliderne (1014).

Døren samles som vist på den store tegning 5.

Tryk dørghider (1014) fast på enderne af dørprofil (1360), se (5.1).

Skrue dørhjul (1015) på køreskinnen (1362) med bolt (1304), skive (1009) og møtrik (1007) (5.4).

Hjulskinne (1362) skrues på øverste dørskinne (1359) (5.3).

Monter tætningslister (3021) i de yderste lodrette dørprofiler (1350), se (5.5).

Anbring bolt (1500) foruden i sporet på den lodrette dørprofil (1350) til at holde tætningsliste (3021) på plads. Fastgør bolt (1500) med møtrik (1515) (5.6). Tætningslisten (3021) tilpasses i længden.

**NB!** Det er vigtigt at vende dørhjul (1015) som vist på (5.7).

Skyd dørens hjul på skydedørsskinne. Husk at kontrollere, at den nederste dørprofil sidder på skinne (1334) som vist i (5.8).

Når døren er monteret, isættes en bolt og møtrik som dørstopper for enden af dørskinnen (1347).

Juster hjulskinnen, så døren kører let (5.7).

## 6. TAGVINDUE

Skrue tagvinduet sammen som vist på illustrationen.

Skrue begge sidestykker (1065) på vinduets topskinne (1064). Er glasset tyndere end 4 mm, anvendes metoden vist i (6.1), og er 4 mm eller

tykkere, anvendes metoden vist i (6.2).

Skyd glasset ind i sidestykkerne (6.3), men kom bolte i først. Monter og fastgør vinduets nederste sprosse (1066) til sidestykkerne. Kontroller at vinduets ramme er i vinkel og stram alle bolte.

Skyd vinduet ind i tagrygsprofilen og anbring i den ønskede position (6.4/6.5/6.6).

Placer vinduets underkarm mellem tagets glasprofiler og gør den fast med de allerede monterede bolte (6.7) og juster i forhold til vinduet. Skal vinduet monteres i et yderområde, anvendes filet bolt (2001) i yderprofilen i stedet en almindelig bolt (1001). Monter vinduets udskyderstang (1067) på vinduets nederste sprosse og fastgør ved hjælp af skruer (1006) (6.8).

Plastichætte (1019) skubbes ind over nederste del af udskyderstangen (1067), se (6.6).

Monter begge pløkker (1016) på vinduets underkarm (1063) med skruer (1006) som i (6.7) og (6.8).

## 7. MONTERING AF GLAS/POLYCARBONAT

**Bemærk venligst ovennævnte sikkerhedsforanstaltninger.**

Anbring gummiliste (1020) på alle glasprofiler og skær til den rette længde som vist i (7.3).

**Tip!** Hvis det er koldt, kan det være svært at montere gummilisten, men denne kan blødgøres i en spand varmt vand tilsat lidt opvaskemiddel.

Læg glas/polycarbonatplader i taget ved hjælp glasclips (1011) (7.2) og glasholdere (1012) (7.1) som vist i glasplanen. Husk at begynde nedefra.

**Bemærk:** Polycarbonatplader er gennemgående i de enkelte glasfelter. De skal derfor ikke bruge glasholdere (1012) ved montering af polycarbonatplader.

Sæt glas i resten af drivhuset som vist i glasplanen.

Hvis De har købt et drivhus med polycarbonat i stedet for glas, anvendes monteringsvejledningen, der ligger sammen med polycarbonatpladerne.

Polycarbonatpladerne er gennemgående i de enkelte glasfelter.

**Bemærk:** Der kan være landespecifikke måder at montere polycarbonatplader på, så check vejledningen, der leveres med polysættet.

## FÆRDIGGØRELSE

Såfremt De har gravet/boret huller til nedstøbning af soklens nedstøbningsbeslag fyldes cement/beton i hullerne. Sikr, at drivhuset fortsat står i lod og vater.

Hvis drivhuset skal stå på en flisebelægning fastgøres stålsoklen nu til underlaget ved hjælp af skruer og rawplugs (ikke medleveret).

Hvis De ønsker at tætte hjørner og samlinger kan dette gøres med silikone (ikke inkluderet).

Vær dog opmærksom på, at jo tættere huset er, jo mere kondens vil der blive dannet.

Den vedlagte selvklæbende identifikationsetiket kan med fordel anbringes indvendigt i drivhuset. Oplysningerne på etiketten vil gøre det meget lettere for Dem at fremskaffe reservedele, såfremt dette skulle blive aktuelt.

Ca. 2 uger efter færdiggørelse kontrolleres det, at alle møtrikker er spændt korrekt.

Vitavia tilbyder et stort tilbehørsprogram, der gør det let at få optimalt udbytte af drivhuset.

Kontakt Deres forhandler for yderligere oplysninger eller læs mere på vor hjemmeside [www.vitavia.dk](http://www.vitavia.dk).

**På hjemmesiden kan De også finde gode råd, vejledninger og desuden se instruktionsvideoer, der viser samling af Vitavia drivhuse.**

## SIKKERHEDSANVISNING

**Brug arbejdshandsker**, da nogle af delene kan have skarpe kanter.

I tilfælde af stærk blæst eller storm: Luk alle oplukkede vinduer og døre, afmonter/deaktiver om nødvendigt eventuelle automatiske vinduesåbnere. Se endvidere vor hjemmeside [www.vitavia.dk](http://www.vitavia.dk), hvor De finder gode råd til forebyggelse af stormskader.

I tilfælde af stormskade kan der være mange glasstumper, som skal fjernes med stor forsigtighed for at undgå personskader.

I tilfælde af kraftigt snefald: Ryd drivhusets tag for sne og træf passende foranstaltninger til at understøtte taget f.eks. med en stolpe el. lign.

## ANMÆRKNINGER

Vi anbefaler, at De sørger for, at Deres husforsikring også dækker Deres drivhus. Overhold alle byggevedtægter.

Kontakt Teknisk Forvaltning i Deres kommune, hvis De er i tvivl.

Vi forbeholder os ret til uden varsel at foretage løbende produktjusteringer. På vor hjemmeside [www.vitavia.dk](http://www.vitavia.dk) vil De altid kunne downloade den nyeste manual, som derfor kan afvige lidt fra Deres produkt.

Manualens udgave kan identificeres ved hjælp af den talkode, der er trykt nederst på hver side i manualen. Hvis De har behov for at få tilsendt en ældre udgave af manualen, er De velkommen til at kontakte os på [opj@opj.dk](mailto:opj@opj.dk).

På hjemmesiden kan De også læse mere om vort store udvalg i tilbehørsartikler.

Alle målangivelser er ca.-mål.

Typebetegnelsen skal De bruge ved bestilling af evt. reservedele, så venligst opbevar montagevejledningen til senere brug.

Vi ønsker Dem god arbejdslyst og håber, at De får rigtig mange gode stunder med og i Deres Vitavia drivhus.

## Disposizioni di sicurezza

- 1. LEGGERE ATTENTAMENTE E COMPLETAMENTE LE ISTRUZIONI DI MONTAGGIO PRIMA DI INIZIARE I LAVORI!**
- Durante il maneggio di vetro, pannelli di policarbonato o componenti di serre si raccomanda di indossare sempre occhiali di protezione, guanti e calzature di sicurezza nonché un elmetto protettivo, poiché gli spigoli taglienti possono causare delle lesioni. I vetri rotti costituiscono un elevato rischio per la sicurezza. Eliminare i vetri rotti con la massima prudenza.
- Il prodotto acquistato è ideato per la coltivazione di piante e deve essere utilizzato esclusivamente per questo scopo. Per qualsiasi altro utilizzo si declina ogni responsabilità.
- Per il montaggio di questo prodotto sono richieste due persone.
- Qualora dovessero verificarsi delle complicazioni durante l'operazione di montaggio della serra o all'inserimento della vetratura, vogliate contattare il vostro commerciante di fiducia – **Non usare in nessun caso la forza!**
- La serra deve essere sempre ancorata al suolo.

## Descrizione della struttura

### SCelta DEL LUOGO

Scegliere possibilmente un posto al sole, ma al contempo protetto dal vento.

### IMPORTANTE

Prima di iniziare l'operazione di montaggio della serra, accertarsi che siano presenti tutti i componenti elencati. Prelevare i componenti dall'imballaggio, per poterli identificare meglio. È particolarmente importante non mischiare tra di loro i componenti aperti.

„Vite a vuoto“ = vite e dado per il futuro fissaggio dei componenti, inizialmente senza funzione visibile.

Qualora dovesse mancare qualcosa, vogliate contattare immediatamente il vostro fornitore.

**Stringere i dadi (1002) ad una coppia di max. 3Nm.**

### UTENSILI RICHIESTI

Giravite (piatto e a croce PH2), 1 chiave da 10 mm, chiave ad anello e a bocca, coltello, metro, livella a bolla, avvitatore a batteria con coppia regolabile.

### MANUTENZIONE

La serra dovrebbe essere periodicamente pulita con della liscivia detergente neutra. Il vetro può essere pulito con un detergente, che non aggredisca però i componenti di materiale sintetico, i telai d'alluminio né le graffe delle molle per i vetri. Pulire periodicamente la guida di scorrimento della porta.

### 0A. FONDAMENTA

**Importante!** Il fondamento deve essere assolutamente ad angolo retto e livellato.

**(Attenzione!)** Solo se la serra deve essere montata in un punto poco protetto ed esposto al vento: Perforare i profili di base e il fondamento d'acciaio e avvitarli entrambi tra di loro per mezzo delle viti e dei dadi)

Se preferite realizzare individualmente un fondamento in pietra o calcestruzzo, vogliate orientarvi alle misure indicate al paragrafo 0A. Tenere presente che se si utilizzano gli angolari di ancoraggio (9101), è necessario scanalare i fori sui punti (C) contrassegnati. Trattare le fondamenta con antibirina.

**Tutti i disegni sono illustrati dalla parte interna della serra, salvo le illustrazioni, che sono rappresentate in una doppia cornicetta. Queste descrivono la veduta esterna.**

### 0B. FONDAMENTA IN ACCIAIO

Vengono consegnate fondamenta in acciaio zincato. Consigliamo di utilizzare gli angolari di ancoraggio (9101). Riempire i fori preparati per gli angolari solo dopo aver montato completamente la serra.

Avvitare le parti con le viti (1001) e i dadi (1002), come raffigurato.

**Importante!** Assicurarsi che la distanza tra i lati interni delle fondamenta (9042) e (9043) sia pari a 634 mm, come specificato nel disegno.

Piegare le estremità degli angolari, per garantire il sicuro ancoraggio nel cemento. Sistemare le fondamenta di acciaio pronte sulle fondamenta a striscia preparate.

**Attenzione!** Versare il calcestruzzo solo a montaggio ultimato della serra.

### 1. FIANCATE

Sistemare tutti i componenti al suolo e avvitarli senza stringerli definitivamente.

### 2. PANNELLO DEL FRONTONE SENZA PORTA

Sistemare anche questi componenti al suolo e avvitarli senza stringerli definitivamente.

Inserire una vite a vuoto (2.2) in ogni listello di vetratura verticale (1341 e 1342).

### 3. LATO DEL FRONTONE CON PORTA

Sistemare nuovamente i componenti al suolo e avvitarli senza stringerli definitivamente.

La guida di scorrimento della porta (1347) viene applicata alla guida (1348) disposta in orizzontale sulla porta. Avvitare quest'ultima dall'esterno, senza stringerla definitivamente, per mezzo delle viti e dei dadi.

A seconda della direzione in cui si desidera aprire la porta, orientare la guida di scorrimento della porta verso destra o sinistra.

### 4. ASSEMBLAGGIO DEI SINGOLI ELEMENTI

Montare le pareti sulle fondamenta di acciaio, e avvitarle - senza stringere - utilizzando le graffe (9002) . (4.2) (4.3) (4.4).

Avvitare gli elementi laterali con i lati del frontone (4.1/4.2).

Applicare le diagonali (1333) come mostrato nella figura (4.1) e (4.4).

Montare l'elemento primario del tetto (4.5). Avvitare a questo punto le traverse del tetto (1355) con l'elemento primario e la grondaia (4.6/4.7). Introdurre in ciascuna traversa del tetto (1355) rispettivamente 1 vite a vuoto. Inoltre, in ogni 2 traverse del tetto (1355) inserire rispettivamente una vite a vuoto (4.7), dove inserire in un secondo momento il lucernario. Applicare il rinforzo (1356) come mostrato nella figura (4.7).

Avvitare la guida di scorrimento della porta (1334) ai profili delle fondamenta di acciaio (9042) e (9043) utilizzando le viti (1001) precedentemente spinte nel relativo canale (1334). (4.3)

Controllare a questo punto se la serra è assolutamente ad angolo retto, altrimenti effettuare le necessarie correzioni. Stringere successivamente le viti.

**Le viti devono essere strettamente serrate, ma non eccessivamente. (max. 3Nm)**

Avvitare il sostegno (1357) della guida di corsa della porta (1347) al lato del frontone (4.8).  
Avvitare il sostegno della porta nella zona inferiore per mezzo della vite (4201) e dell'elemento distanziatore (1310)(4.9).  
Applicare le calotte protettive (1017/1018) sulle estremità dei profili (4.10).

## 5. PORTA

**Attenzione: Non collocare mai la porta montata sull'elemento scorrevole (1014), altrimenti si rischierebbe di danneggiarla!**

Premere dentro gli elementi scorrevoli (1014) in ambedue le estremità nel profilo della porta (1360) (5.1).

Avvitare gli elementi della porta come illustrato nella figura 5.

Avvitare il profilo della porta (1362) al profilo superiore (1359) (5.3) e inserire le guarnizioni (3021) nei puntoni verticali esterni della porta (1350) (5.5). Inserire le viti (1500) nel canale inferiore che supporta le guarnizioni delle spazzole (3021) e avvitarle con i dadi (1515) (5.6). Tagliare le guarnizioni della porta (3021) alla lunghezza voluta.

Avvitare le rotelle (1015) alla parte superiore della porta (1362), come illustrato nella figura (5.4), utilizzando le viti (1304), le rondelle (1009) e i dadi (1007).

Le rotelle della porta vengono inserite nella guida della porta (1347). È necessario accertarsi di inserire le guide inferiori della porta come mostrato nella figura (5.8).

Dopo aver inserito la porta come descritto nell'operazione 5, inserire la vite e il dado come fermaporta in ambedue le estremità della guida della porta (1347).

Regolare la porta (5.7), in modo che possa scorrere senza attrito.

## 6. LUCERNARIO

Assemblare il lucernario per mezzo delle viti come mostrato nella figura. Avvitare i telai laterali (1065) con la parte superiore del lucernario (1064). In una vetratura più sottile di 4 mm, come mostrato nella figura (6.1), in una vetratura di 4 mm o più, come mostrato nella figura (6.2).

Inserire il vetro nei telai laterali (1065) (6.3), ma inserire prima le viti dei fori nei telai laterali.

Avvitare a questo punto il profilo inferiore della finestra (1066) con il telaio laterale.

**Attenzione: La finestra deve essere ad angolo retto.**

Inserire il lucernario nel colmo (inserendolo dall'estremità del colmo stesso) e portarlo nella posizione prevista (6.4/6.5/6.6).

Avvitare la soglia del lucernario (1063) con le viti a vuoto (6.7) Se la finestra viene montata con un campo esterno, nel profilo esterno occorre utilizzare la vite (2001) al posto della

vite (1001). Avvitare l'intelaiatura del lucernario (1067) con il profilo inferiore della finestra. Qui sono da utilizzare le viti (1006) (6.8).

Fare passare la presente cappa di gomma (1019) attraverso l'estremità inferiore dell'intelaiatura del lucernario (6.6). Avvitare strettamente i due perni a scatto (1016) sulla soglia del lucernario per mezzo delle viti (1006) (6.8)

## 7. VETRATURA IN VETRO BLANK

**Sono da osservare le misure di sicurezza summenzionate.**

Premere la guarnizione del vetro (1020) sui profili d'alluminio (7.3) e tagliarla alla rispettiva misura di lunghezza.

Iniziare con la vetratura nella zona del tetto ovvero della grondaia e utilizzare a tal fine le graffe delle molle elastiche di vetratura (1011) (7.2).

Collocare la lastra seguente sotto la lastra sottostante con le graffe d'arresto (1012) inserite fra le lastre (7.1).

Iniziare con la vetratura dei lati partendo dal basso.

**Se la vetratura della serra viene effettuata per mezzo di pannelli a camera vuota, si raccomanda di orientarsi allo schema di posa in opera, allegato ai pannelli a camera vuota.**

## LE ULTIME OPERAZIONI

Riempire con calcestruzzo i fori per gli angolari di ancoraggio.

Collegare le fondamenta di acciaio alle fondamenta a striscia, utilizzando le viti e i tasselli (non compresi nella fornitura).

È anche possibile sigillare i giunti della serra con sigillante siliconico a reticolazione neutra. Il silicone non è incluso nel volume di consegna.

Applicare dall'interno il presente adesivo di avvertimento.

Il vostro fornitore dispone di un assortimento completo di accessori per serre.

Contattatelo.

## INFORMAZIONI DI SICUREZZA

In presenza di vento forte si raccomanda di mantenere chiuse tutte le aperture e la porta.

Eliminare tempestivamente la neve dai tetti delle serre in modo da evitare qualsiasi carico di neve pericoloso.

Riscaldare la serra in inverno.

## NOTE

Per garantire la protezione completa della serra vi consigliamo di includerla nella vostra **polizza assicurativa domestica**. Osservare

eventuali prescrizioni edilizie locali vigenti.

Incollare l'adesivo di identificazione fornito in dotazione sul corpo della ruota (1362) dopo il completamento del montaggio della serra.

La denominazione del tipo è richiesta per specificare eventuali pezzi di ricambio da ordinare. Conservare sempre le istruzioni per il montaggio!

Tutte le misure specificate sono valori approssimativi.

Con riserva di modifiche.

## Previdnostni ukrepi

### 1. PROSIMO, DA TA NAVODILA ZA MONTAŽO PRED ZAČETKOM POSTAVITVE V CELOTI PREBERETE!

- Pri rokovanju s steklom, polikarbonatnimi ploščami ali deli rastlinjaka morate vedno nositi zaščitna očala, rokavice, zaščitne rokavice in zaščito za glavo, ker se lahko na ostrih robovih poškodujete. Zlomljeno steklo predstavlja varnostno tveganje. Odstranite ga z zahtevano previdnostjo.
- Izdelek, ki ste ga kupili, je zasnovan za gojenje rastlin in ga smete uporabljati izključno za ta namen. V primeru drugačne uporabe je vsakršna odgovornost izključena.
- Za montažo tega izdelka sta potrebni dve osebi.
- Če imate pri montaži rastlinjaka ali vstavljanju zasteklitve težave, stopite v stik s svojim trgovcem – **ne ravnajte na silo!**
- Rastlinjak mora biti zasidran.

## Opis postavitve

### IZBIRA LEGE

Poiščite najbolj sončno lego, ki pa je hkrati zaščitena pred vetrom.

### POMEMBNO

Preden začnete z montažo vašega rastlinjaka, preverite, ali so na voljo vsi deli, ki so navedeni na seznamu. Da boste to lažje ugotovili, vzemite posamezne pakete iz embalaže.

Pomembno je, da odprtih paketov ne pomešate.

»Prazni vijak« = vijak in matica za poznejšo pritrditev delov, ki sprva nimata razvidne funkcije.

Če kaj manjka, stopite v stik z dobaviteljem.

**Matice (1002) privijte z največ 3Nm.**

### POTREBNO ORODJE

Izvičaj (za zarezo in križni PH2), 1 vijačni ključ 10 mm, obročni viličasti ključ, nož, zložljivi meter, vodna tehtnica, akumulatorski vijačnik z nastavljenim vrtilnim momentom.

### VZDRŽEVANJE

Rastlinjak občasno temeljito operite z nevtralnimi čistilom. Steklo lahko očistite s čistilnim sredstvom, ki ni agresivno do plastičnih delov, aluminijastega okvirja in vzmetnih sponk za steklo. Redno očistite vodilo vrat.

### 0A. TEMELJ

**Pomembno!** Temelj mora biti absolutno pravokoten in raven.

(**Pozor!** Samo če je rastlinjak potrebno postaviti na zelo nezaščitenem in vetrovnem mestu: prevrtajte osnovne profile in jekleni temelj ter ju privijte skupaj z vijaki in maticami.)

Če želite temelj izdelati iz kamna ali betona, se ravnajte po navedenih merah v poglavju 0A. Prosimo, upoštevajte, da je pri uporabi sidrnih

kotnikov (9001) na označenih točkah (C) treba zaobiti luknje.

Temelj mora biti postavljen zaščiteno pred zmrzaljo.

**Vse risbe so prikazane z notranje strani rastlinjaka, z izjemo slik, ki so prikazane v dvojnem okvirju. Te opisujejo pogled na zunanjo stran.**

### 0B. JEKLENI TEMELJ

Pocinkan jekleni temelj je vsebovan v dobavi. Priporočamo uporabo sidrnih kotnikov (9001). Luknje, pripravljene za sidrne kotnike, zapolnite šele, ko je rastlinjak v celoti postavljen.

Dele spojite z vijaki (1001) in maticami (1002), kot je prikazano na sliki.

**Pomembno!** Zagotovite, da je razdalja med notranjimi stranicami temelja (9042) in (9043) znaša 634 mm, kot je navedeno na risbi.

Na koncih sidrne kotnike upognite, da zagotovite varno sidranje v betonu. Gotov jekleni temelj položite na pripravljen pasovni temelj.

**Pozor!** Beton se sme uliti šele, ko je rastlinjak popolnoma montiran.

### 1. STRANICE

Vse dele položite na tla in rahlo privijte.

### 2. ZAKLJUČEK ZATREPA BREZ VRAT

Tudi te dele položite na tla in rahlo privijte.

V vsako navpično letev zasteklitve (1341 in 1342) vstavite prazni vijak (2.2).

### 3. STRANICA ZATREPA Z VRATI

Dele položite na tla in rahlo privijte.

Vodilo vrat (1347) se namesti na letev, ki se nahaja vodoravno nad vrati (1348). Rahlo jo privijte od zunaj z dvema vijakoma in maticama.

Ovisno od tega, v katero smer želite odpirati vrata, vodilo vrat (1347) usmerite v desno ali levo.

### 4. POVEZOVANJE POSAMEZNIH ELEMENTOV

Montirajte stene na jekleni temelj in jih s pomočjo sponk (9002) rahlo privijte na temelj. (4.2) (4.3) (4.4).

Stranice privijte na stranice zatrepa (4.1/4.2).

Namestite diagonale (1333), kot je prikazano v (4.1) in (4.4).

Montirajte sleme (4.5). Zdaj privijte strešne palice (1355) na sleme in kapi (4.6/4.7). V vsako strešno palico (1355) vstavite po 1 prazni vijak. Pri po 2 strešnih palicah (1355) dodajte po en prazni vijak tam (4.7), kjer naj bo pozneje vstavljeno strešno okno. Namestite ojačitve (1356), kot je prikazano v (4.7).

Vodilo vrat (1334) privijte na dolga profila jeklenega temelja (9042) in (9043) s predhodno v kanal za vijake (1334) potisnjenimi vijaki (1001). (4.3)

Zdaj preverite, ali je rastlinjak absolutno pravokoten, sicer ga ustrezno premaknite. Nato vijake tesno privijte.

**Vijaki morajo biti trdno, vendar ne pretesno priviti. (največ 3Nm)**

Oporo (1357) vodila vrat (1347) privijte s stranico zatrepa (4.8). Na spodnjem območju privijte oporo vrat z vijakom (4201) in distančnikom (1310)(4.9).

Zaščitne kape (1017/1018) natakните na zaključke profilov (4.10).

### 5. VRATA

**Pozor: Montiranih vrat nikoli ne postavite na drsnike vrat (1014), da jih ne poškodujete!**

Drsnike vrat (1014) na zaključkih vtisnite v profil vrat (1360) (5.1).

Elemente vrat privijte, kot je prikazano na sliki



5.

Profil vrat (1362) privijte na zgornji profil vrat (1359) (5.3) in tesnila vrat (3021) vstavite v navpične zunanje opore vrat (1350)(5.5). Vstavite vijake (1500) v spodnji kanal za vijake, ki drži krtačna tesnila (3021), in jih na tem mestu privijte z maticami (1515) (5.6). Tesnila vrat (3021) odrežite na ustrezno dolžino.

Kolesca vrat (1015), kot je prikazano na (5.4), privijte s pomočjo vijakov (1304), podložk (1009) in matic (1007) na zgornji del vrat (1362).

Kolesca za vrata se potisnejo v letev vrat (1347). Zagotovljeno mora biti, da se spodnja vodila vrat vstavijo v skladu s sliko (5.8).

Ko ste vstavili vrata v skladu s korakom 5, vstavite vijak in matico kot omejevalnik za vrata na odprtih koncih letve vrat (1347).

Vrata nastavite tako (5.7), da tečejo brez trenja.

## 6. STREŠNO OKNO

Strešno okno privijte v skladu s sliko. Stranska okvirja (1065) privijte na zgornji del strešnega okna (1064). Pri zasteklitvi, tanjši od 4 mm, ravnajte, kot je prikazano v (6.1), pri zasteklitvi debeline 4 mm ali več, pa kot v (6.2).

Steklo potisnite v stranska okvirja (1065) (6.3), vendar pred tem vstavite vijake v izvrtine stranskih okvirjev.

Zdaj privijte spodnji okenski profil (1066) na stranska okvirja.

**Pozor: Okno mora biti pravokotno.**

Strešno okno vstavite v sleme iz smeri zaključka slemena in okno postavite v predviden položaj (6.4/6.5/6.6).

Privijte prag strešnega okna (1063) v skladu z (6.7) z razpoložljivimi praznimi vijaki. Če se okno montira na zunanjem polju, potrebujete na zunanjem polju namesto vijaka (1001) vijak (2001). Privijte oporo za odpiranje strešnega okna (1067) na spodnji okenski profil. Pri tem uporabite vijake (1006) (6.8).

Nataknite razpoložljivo gumijasto kapo (1019) na spodnji konec opore za odpiranje strešnega okna (6.6). Privijte zaskočna zatiča (1016) na pragu strešnega okna z vijaki (1006) (6.8).

## 7. ZASTEKLITEV S PROZORNIM STEKLOM

**Prosimo, upoštevajte zgoraj navedene varnostne predpise.**

Pritisnite tesnilo za steklo (1020) na aluminijaste profile (7.3) in jih odrežite na ustrezno dolžino.

Z zasteklitvijo na območju strehe začnite ob kapi in v ta namen uporabite vzmetne sponke za steklo (1011) (7.2).

Naslednjo ploščo je treba namestiti prek plošče, ki se nahaja neposredno pod njo, z

držalnimi sponkami za steklo (1012) med ploščama (7.1).

Pri zasteklitvi stranic začnite s spodnje strani.

**Pri zasteklitvi rastlinjaka z votlimi ploščami se ravnajte po načrtu za zasteklitev, ki je priložen votlim ploščam.**

## ZAKLJUČNA DELA

Luknje za sidrne kotnike zapolnite z betonom.

Jekleni temelj z vijaki in vložki (niso vsebovani v dobavi) spojite s pasovnim temeljem.

Če želite, lahko rastlinjak na razpoložljivih fugah zatesnite z nevtralnimi silikonom. Silikon ni vsebovan v dobavi.

Priloženo nalepko z opozorilom nalepite na notranji strani.

Vaš dobavitelj ima na voljo bogato izbiro opreme za vaš rastlinjak.

Povprašajte pri njem.

## VARNOSTNA NAVODILA

Ob močnem vetru zaprite vse odprtine in vrata.

S streh rastlinjakov pravočasno očistite sneg, da ne pride do nevarne obremenitve s snegom.

Pozimi rastlinjak ogrevajte.

## OPOMBE

Za popolno zaščito rastlinjaka vam priporočamo, da ga vključite v zavarovanje hiše. Upoštevajte morebitne veljavne lokalne gradbene predpise.

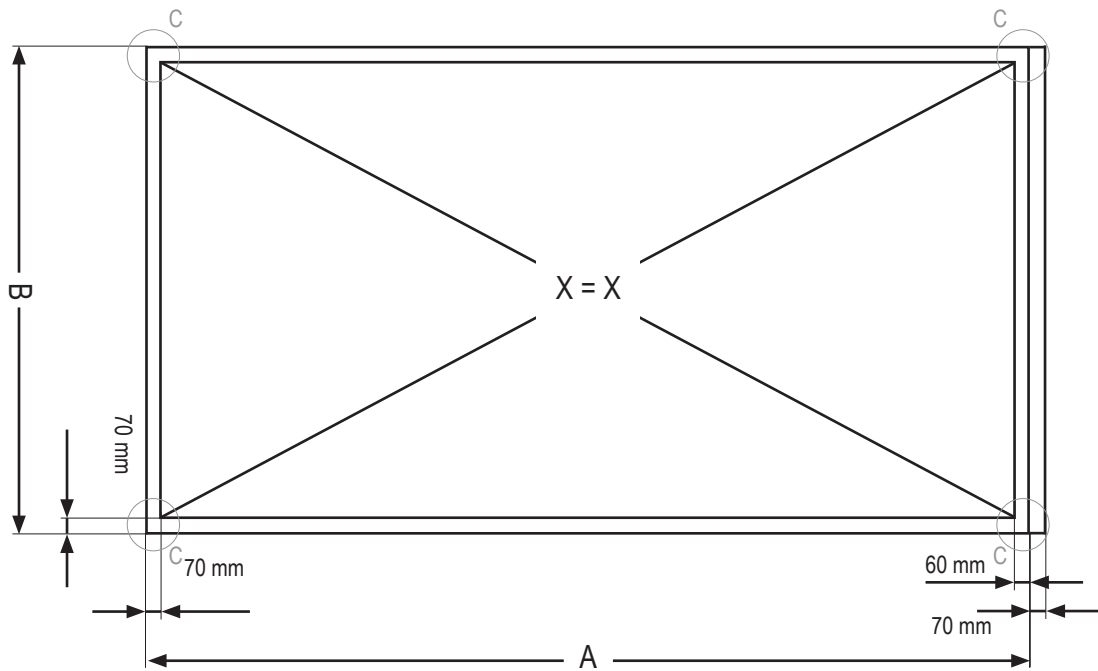
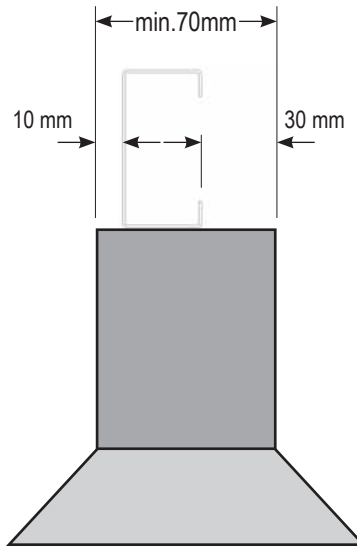
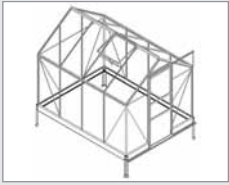
Priloženo tipsko nalepko po opravljeni montaži rastlinjaka nalepite na ohišje koles (1362).

Oznako tipa potrebujete za navedbo pri naročilu morebitnih potrebnih nadomestnih delov. Prosimo, da navodila za montažo shranite!

Vse navedene mere so približne mere.

Pridržujemo si pravico do sprememb.

# 0A



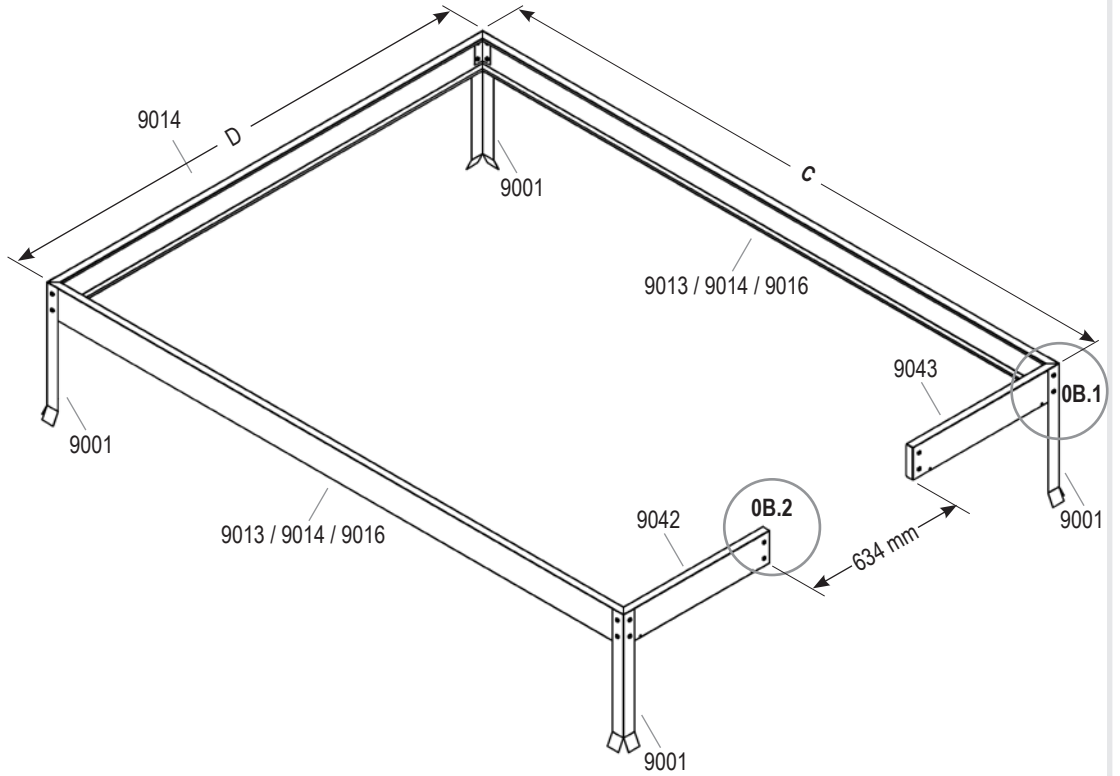
|                 | 2500         | 3800         | 5000         |
|-----------------|--------------|--------------|--------------|
| <b>A + 70mm</b> | 1310 + 70 mm | 1932 + 70 mm | 2554 + 70 mm |
| <b>B</b>        | 1942 mm      | 1942 mm      | 1942 mm      |

VM0036-AP

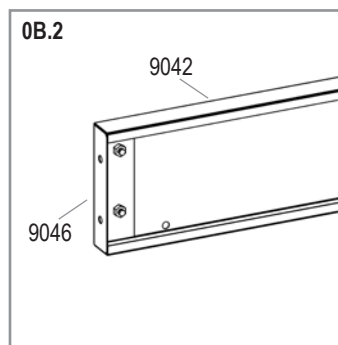
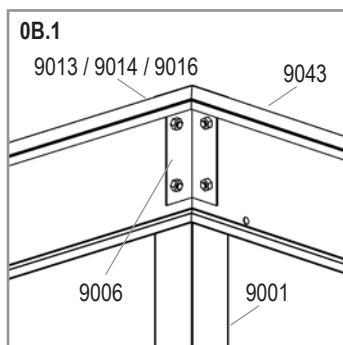
# OB



|      | 2500 | 3800 | 5000 |
|------|------|------|------|
| 1001 |      |      |      |
| 20x  | 20x  | 20x  | 20x  |
| 1002 |      |      |      |
| 20x  | 20x  | 20x  | 20x  |
| 9001 |      |      |      |
| 4x   | 4x   | 4x   |      |
| 9006 |      |      |      |
| 4x   | 4x   | 4x   |      |
| 9013 |      |      |      |
| 2x   | -    | -    |      |
| 9014 |      |      |      |
| 1x   | 3x   | 1x   |      |
| 9016 |      |      |      |
| -    | -    | 2x   |      |
| 9042 |      |      |      |
| 1x   | 1x   | 1x   |      |
| 9043 |      |      |      |
| 1x   | 1x   | 1x   |      |
| 9046 |      |      |      |
| 2x   | 2x   | 2x   |      |

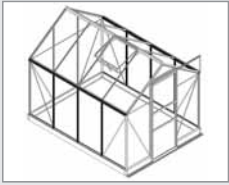


|          | 2500    | 3800    | 5000    |
|----------|---------|---------|---------|
| <b>C</b> | 1300 mm | 1922 mm | 2544 mm |
| <b>D</b> | 1922 mm | 1922 mm | 1922 mm |

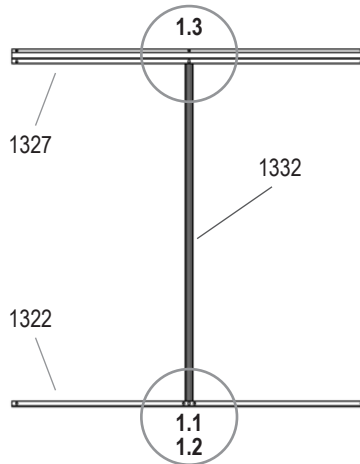


VM0036-AP

# 1



**2500**  
**2x**



|      |      |      |
|------|------|------|
| 2500 | 3800 | 5000 |
|------|------|------|

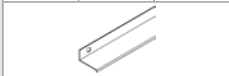
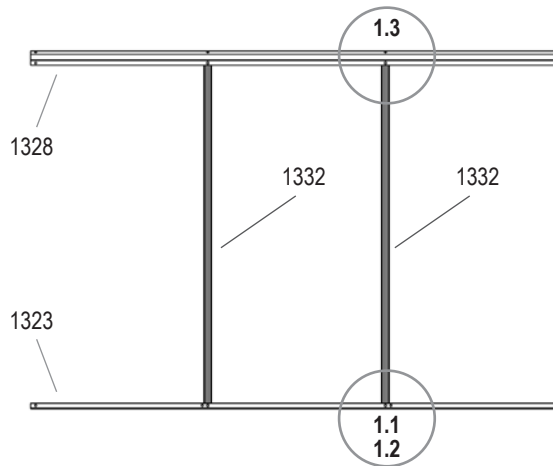


|      |      |      |
|------|------|------|
| 2x 2 | 4x 2 | 6x 2 |
|------|------|------|



|      |      |      |
|------|------|------|
| 2x 2 | 4x 2 | 6x 2 |
|------|------|------|

**3800**  
**2x**



|      |      |      |
|------|------|------|
| 1322 | 1323 | 1324 |
| 1x 2 | 1x 2 | 1x 2 |

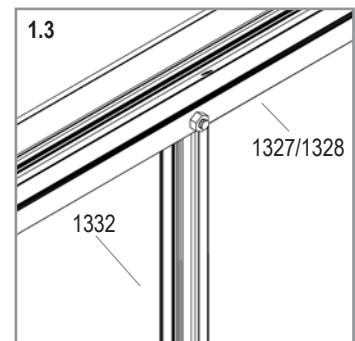
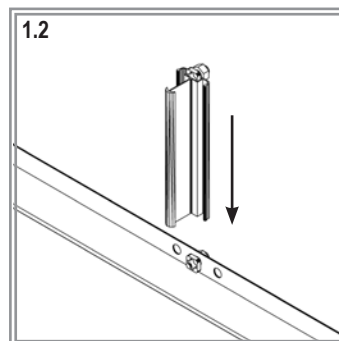
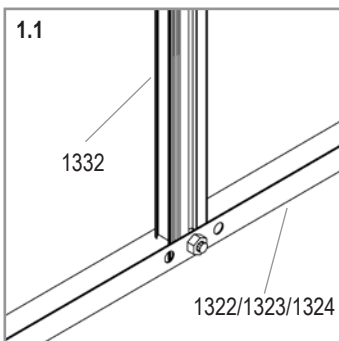
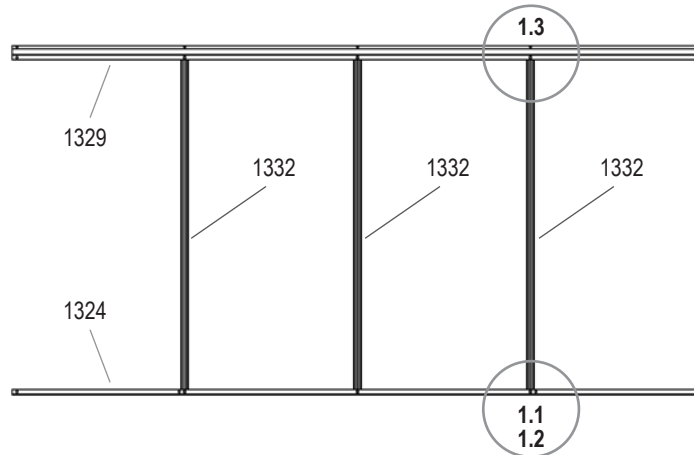


|      |      |      |
|------|------|------|
| 1327 | 1328 | 1329 |
| 1x 2 | 1x 2 | 1x 2 |



|      |      |      |
|------|------|------|
| 1x 2 | 2x 2 | 3x 2 |
|------|------|------|

**5000**  
**2x**

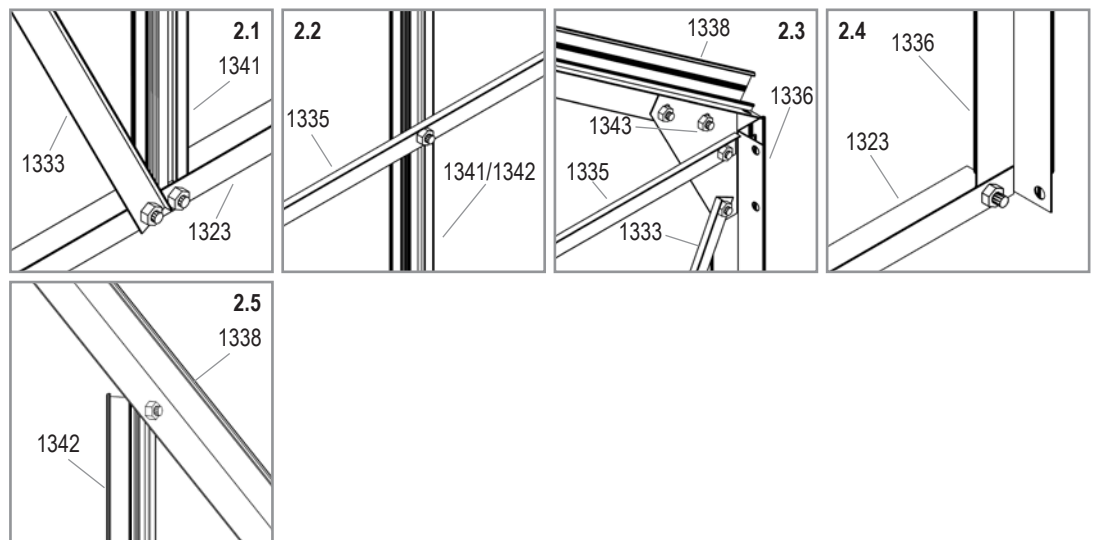
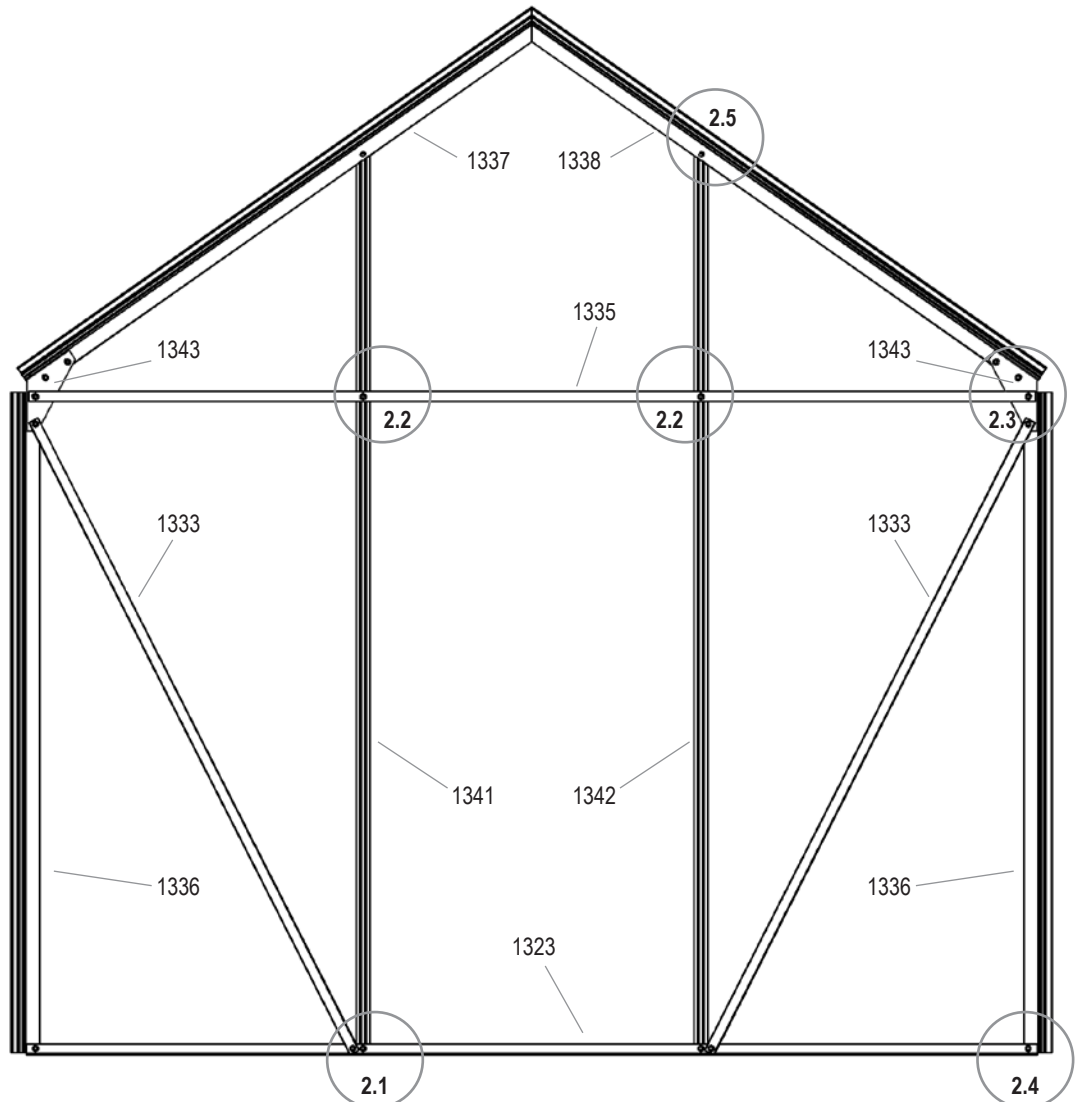


VM0036-AP

# 2

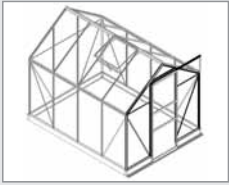


- 1001 18x
- 1002 18x
- 1323 1x
- 1333 2x
- 1335 1x
- 1336 2x
- 1337 1x
- 1338 1x
- 1341 1x
- 1342 1x
- 1343 2x

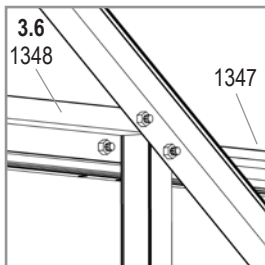
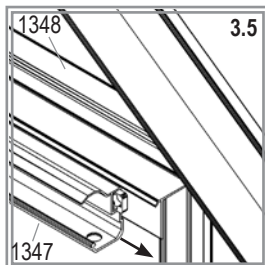
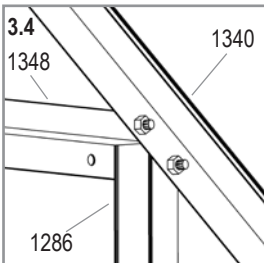
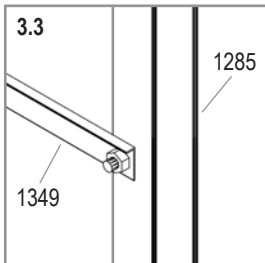
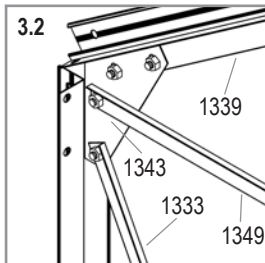
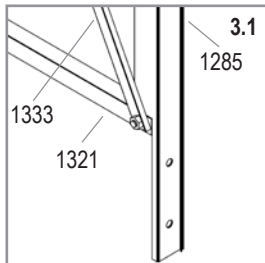
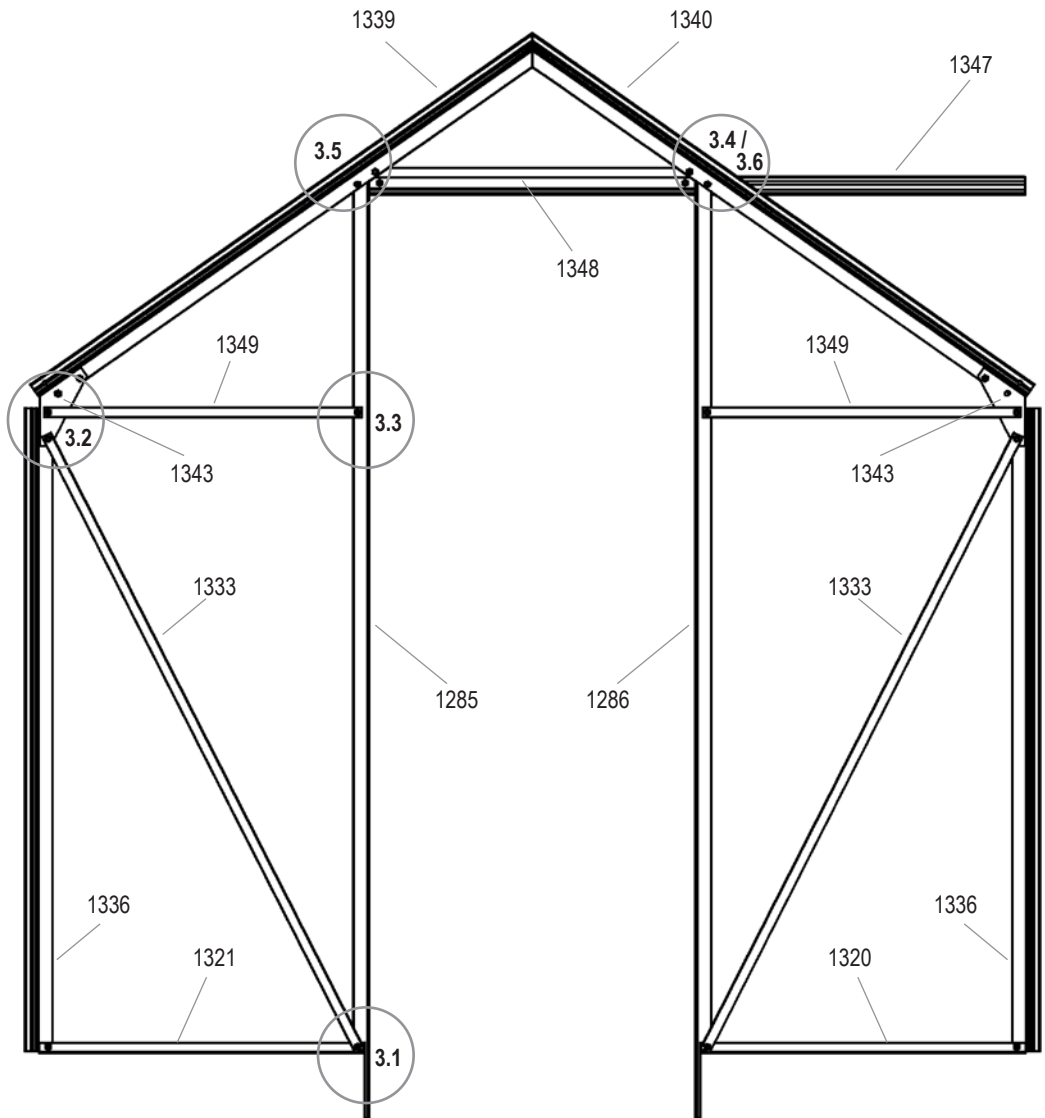


VM0036-AP

# 3



- 1001 20x
- 1002 20x
- 1285 1x
- 1286 1x
- 1320 1x
- 1321 1x
- 1333 2x
- 1336 2x
- 1339 1x
- 1340 1x
- 1343 2x
- 1347 1x
- 1348 1x
- 1349 2x

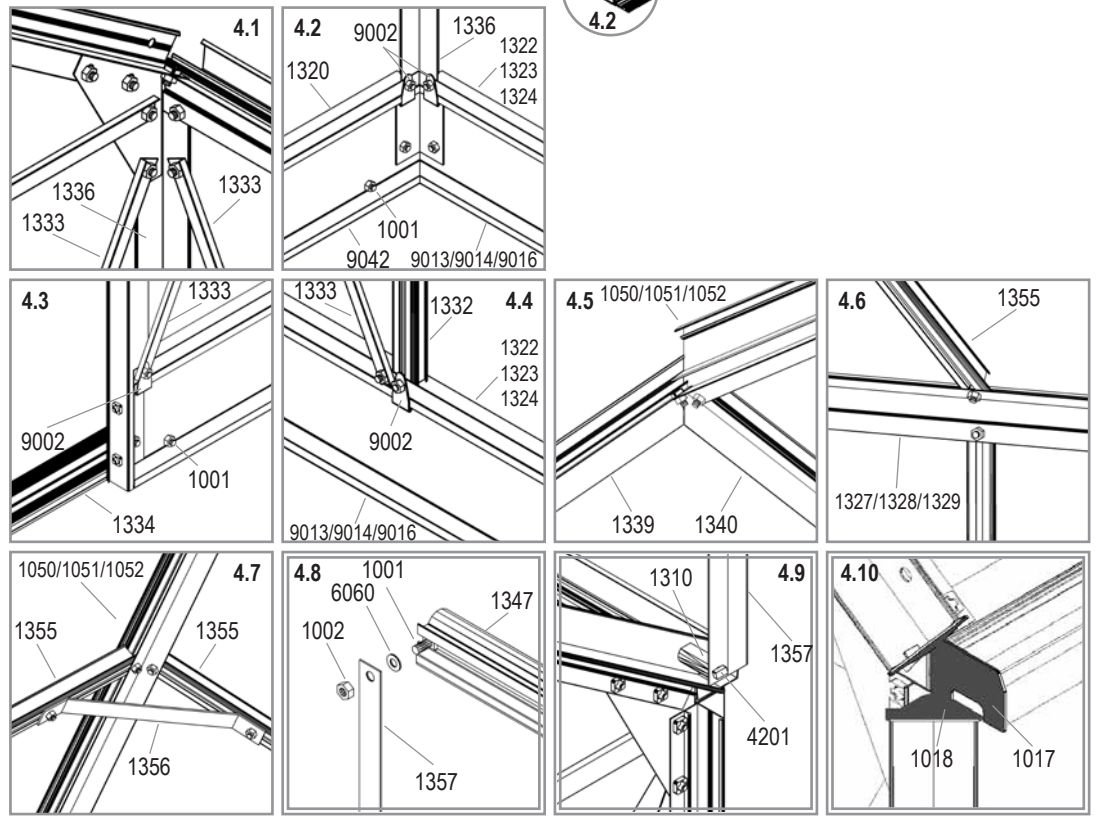
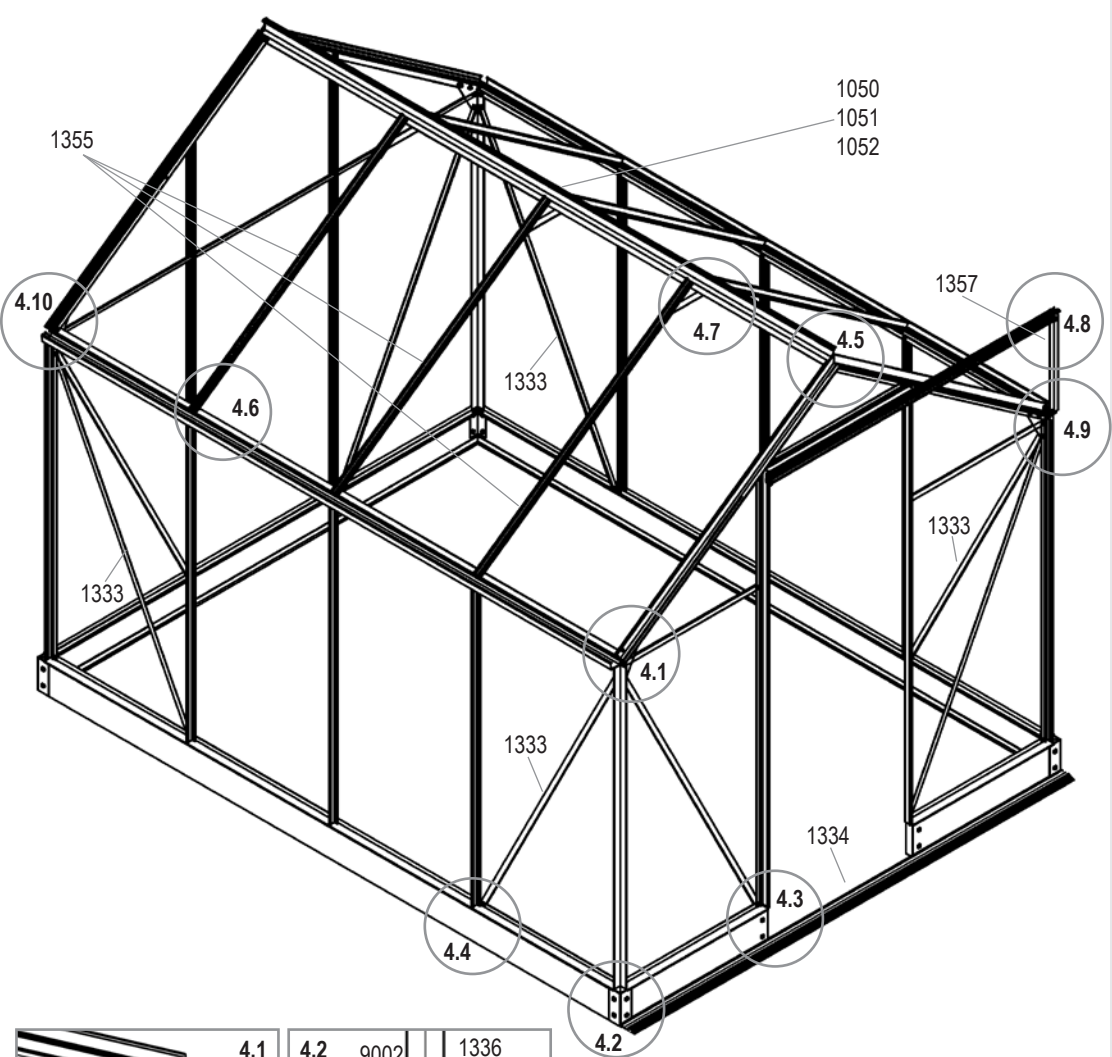


VM0036-AP

# 4

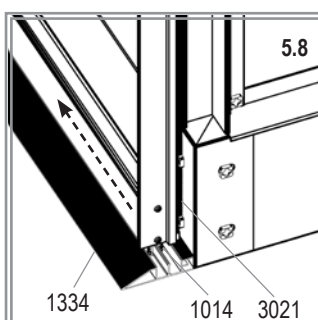
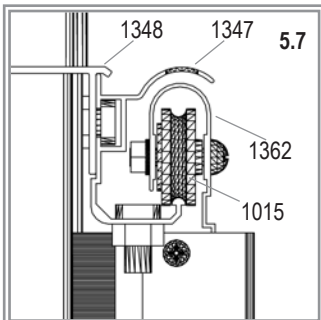
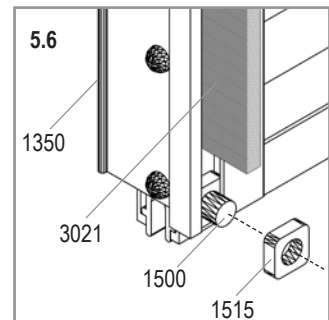
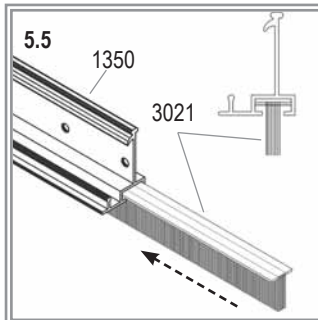
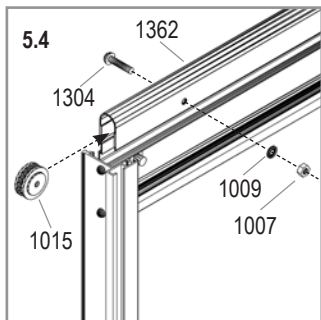
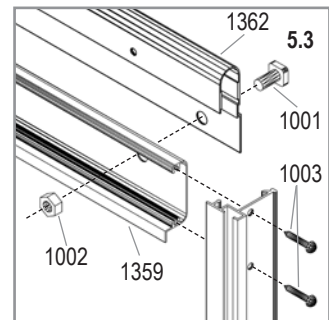
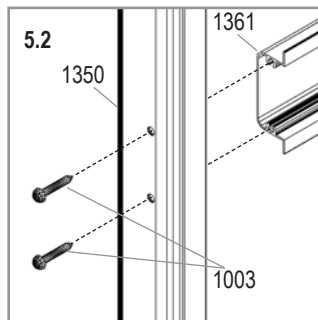
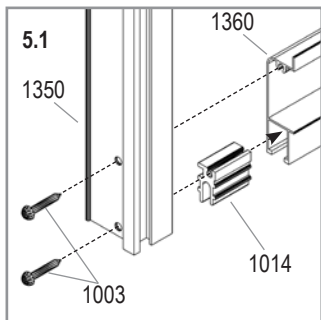
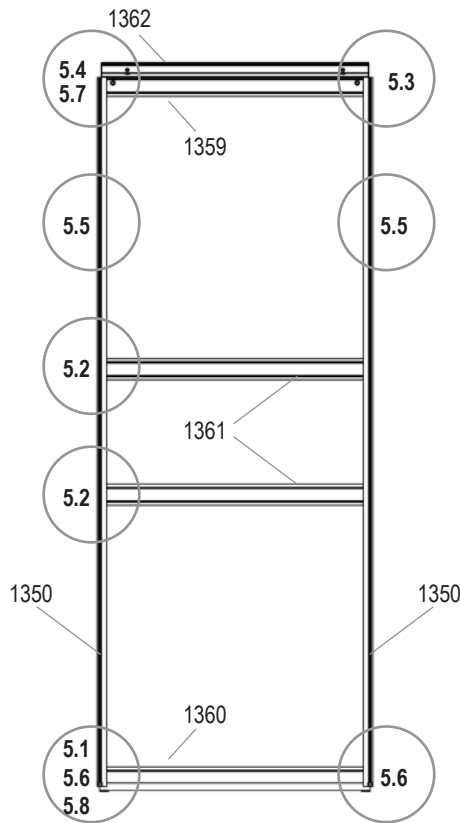


|      | 2500 | 3800 | 5000 |
|------|------|------|------|
| 1001 |      |      |      |
| 40x  | 47x  | 53x  |      |
| 1002 |      |      |      |
| 41x  | 48x  | 54x  |      |
| 1017 |      |      |      |
| 4x   | 4x   | 4x   |      |
| 1018 |      |      |      |
| 8x   | 8x   | 8x   |      |
| 1050 | 1051 | 1052 |      |
| 1x   | 1x   | 1x   |      |
| 1310 |      |      |      |
| 1x   | 1x   | 1x   |      |
| 1333 |      |      |      |
| 4x   | 4x   | 4x   |      |
| 1334 |      |      |      |
| 1x   | 1x   | 1x   |      |
| 1355 |      |      |      |
| 2x   | 4x   | 6x   |      |
| 1356 |      |      |      |
| 1x   | 2x   | 3x   |      |
| 1357 |      |      |      |
| 1x   | 1x   | 1x   |      |
| 4201 |      |      |      |
| 1x   | 1x   | 1x   |      |
| 6060 |      |      |      |
| 1x   | 1x   | 1x   |      |
| 9002 |      |      |      |
| 14x  | 16x  | 18x  |      |



VM0036-AP

# 5



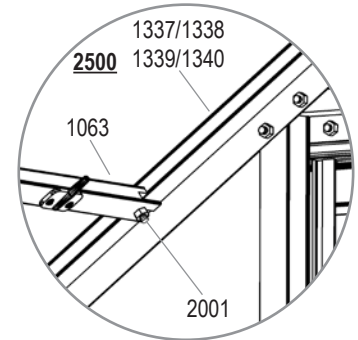
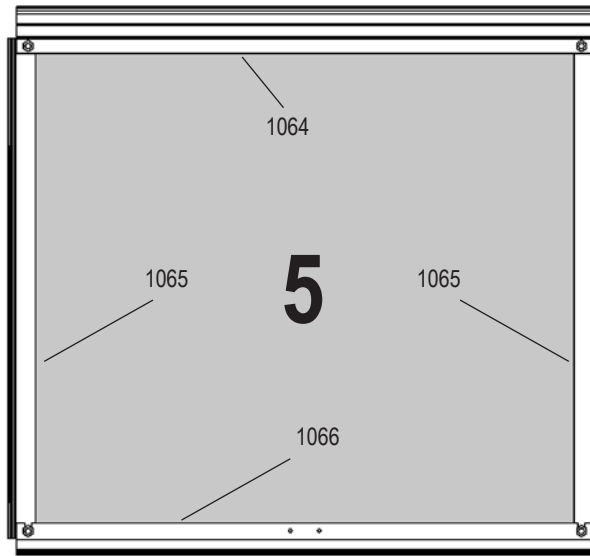
VM0036-AP



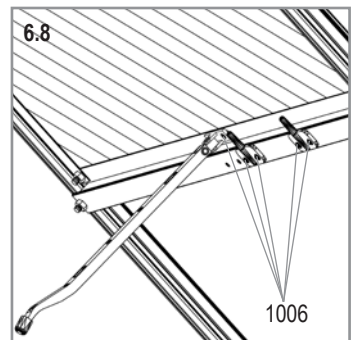
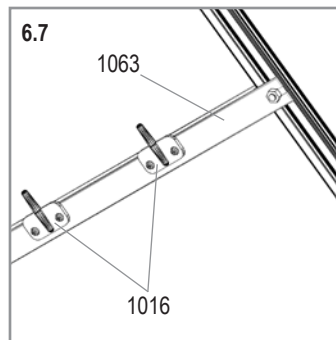
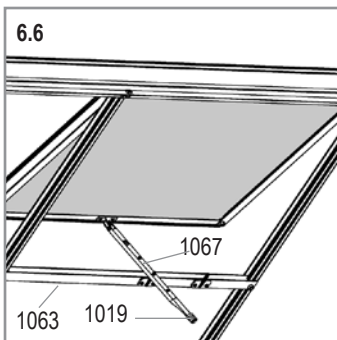
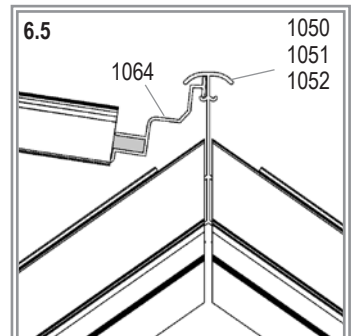
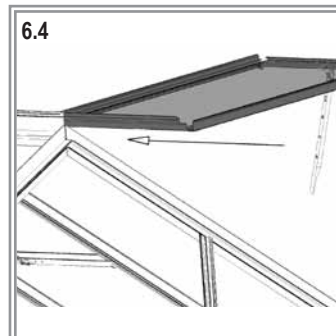
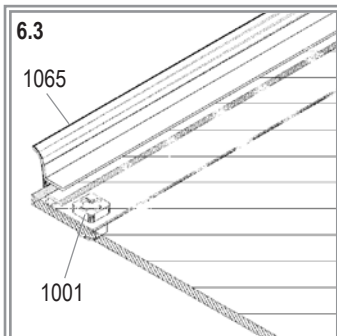
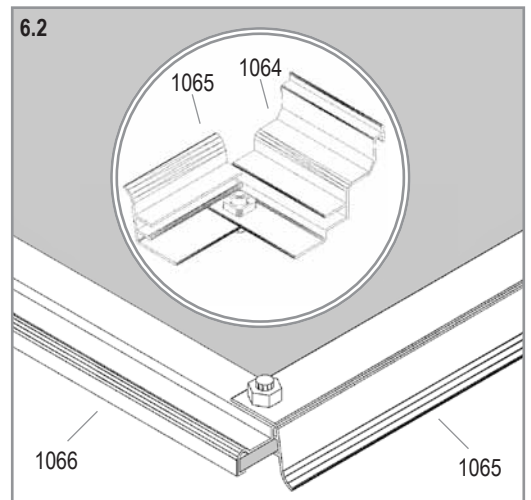
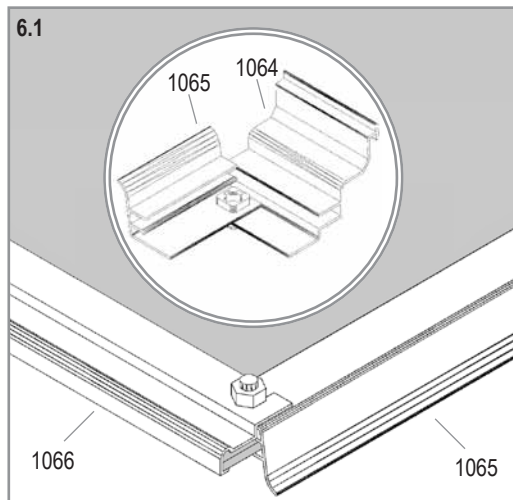
# 6



|      | 2500 | 3800 | 5000 |
|------|------|------|------|
| 1001 |      |      |      |
| 4x   | 4x   | 4x   |      |
| 1002 |      |      |      |
| 5x   | 4x   | 4x   |      |
| 1006 |      |      |      |
| 6x   | 6x   | 6x   |      |
| 1016 |      |      |      |
| 2x   | 2x   | 2x   |      |
| 1019 |      |      |      |
| 1x   | 1x   | 1x   |      |
| 1063 |      |      |      |
| 1x   | 1x   | 1x   |      |
| 1064 |      |      |      |
| 1x   | 1x   | 1x   |      |
| 1065 |      |      |      |
| 2x   | 2x   | 2x   |      |
| 1066 |      |      |      |
| 1x   | 1x   | 1x   |      |
| 1067 |      |      |      |
| 1x   | 1x   | 1x   |      |
| 2001 |      |      |      |
| 1x   | -    | -    |      |

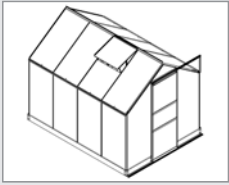


|   | Art. No. | mm        | 2500 | 3800 | 5000 |
|---|----------|-----------|------|------|------|
| 5 | 3679491  | 600 x 544 | 1x   | 1x   | 1x   |

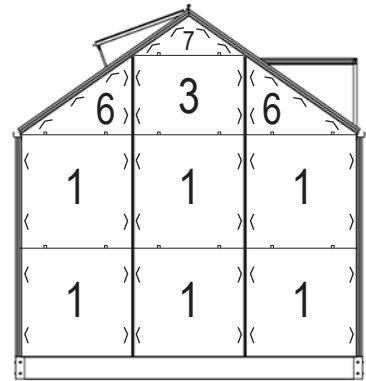
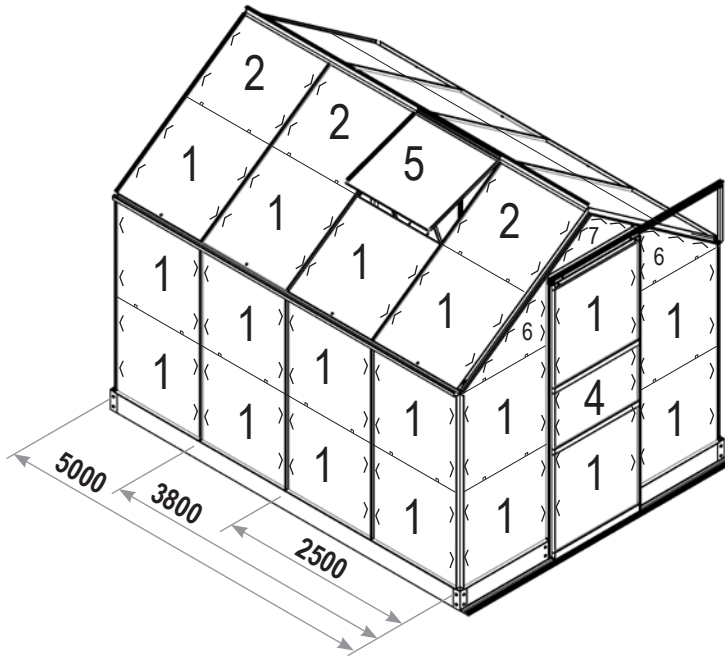


VM0036-AP

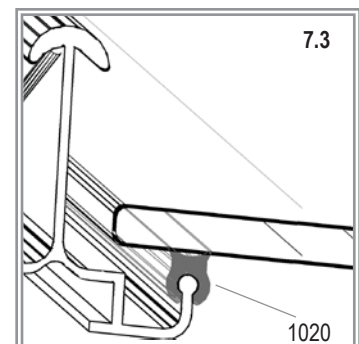
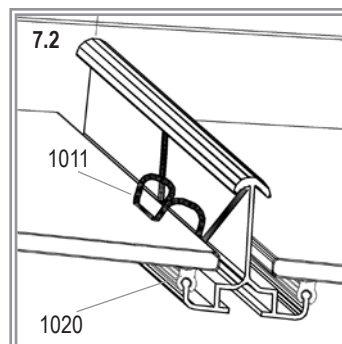
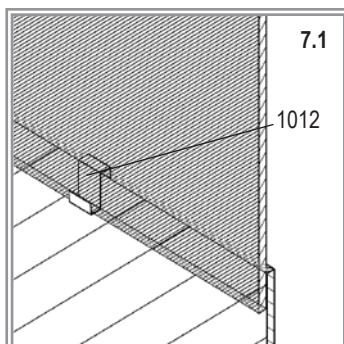
# 7



|      |      |      |
|------|------|------|
| 2500 | 3800 | 5000 |
| 1011 |      |      |
| 144x | 176x | 208x |
| 1012 |      |      |
| 36x  | 44x  | 52x  |
| 1020 |      |      |
| 1x   | 1x   | 1x   |



|              | Art. No. | mm              | 2500       | 3800       | 5000       |
|--------------|----------|-----------------|------------|------------|------------|
| 1            | 3679011  | 610 x 610       | 24x        | 30x        | 36x        |
| 2            | 3679411  | 610 x 544       | 3x         | 5x         | 7x         |
| 3            | 3679421  | 610 x 467       | 1x         | 1x         | 1x         |
| 4            | 3679331  | 610 x 343       | 1x         | 1x         | 1x         |
| 5            | 3679491  | 600 x 544       | 1x         | 1x         | 1x         |
| 6            | 3679441  | 610 x 464/38    | 4x         | 4x         | 4x         |
| 7            | 3679451  | 610 x 20/234/20 | 2x         | 2x         | 2x         |
| <b>Total</b> |          |                 | <b>36x</b> | <b>44x</b> | <b>52x</b> |



VM0036-AP





E.P.H. Schmidt u. Co. GmbH  
Hoefkerstrasse 30  
44149 Dortmund  
Postfach 170163  
44060 Dortmund  
Deutschland  
Tel.: +49 231 941655 0  
Fax: +49 231 941655 99  
[www.eph-schmidt.de](http://www.eph-schmidt.de)  
[verkauf@eph-schmidt.de](mailto:verkauf@eph-schmidt.de)

OPJ A/S  
Volderslevvej 36 A  
5260 Odense S  
Danmark  
Tel.: +45 66 15 10 30  
Fax: +45 66 15 00 84  
[www.opj.dk](http://www.opj.dk)  
[opj@opj.dk](mailto:opj@opj.dk)